



BLINDSIDE 180 Tower Bimini/Rack

Part Number: 08XTMEDCBIMNN1-6121G

Part Number: 08XTLGCBIMNN1-6121G

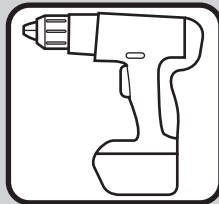
Assembly / Installation Instructions



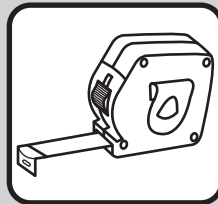
TOOLS



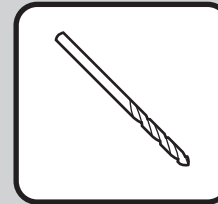
#2 PHILLIPS
SCREWDRIVER / BIT



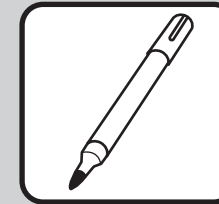
DRILL



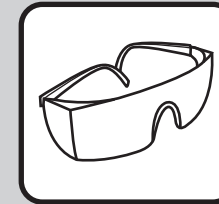
TAPE MEASURE



#20 DRILL BIT
(SUPPLIED)



FELT TIP MARKER



SAFETY GLASSES

CAUTION Safety glasses should be worn at all times while installing this product.

Installation Tips:

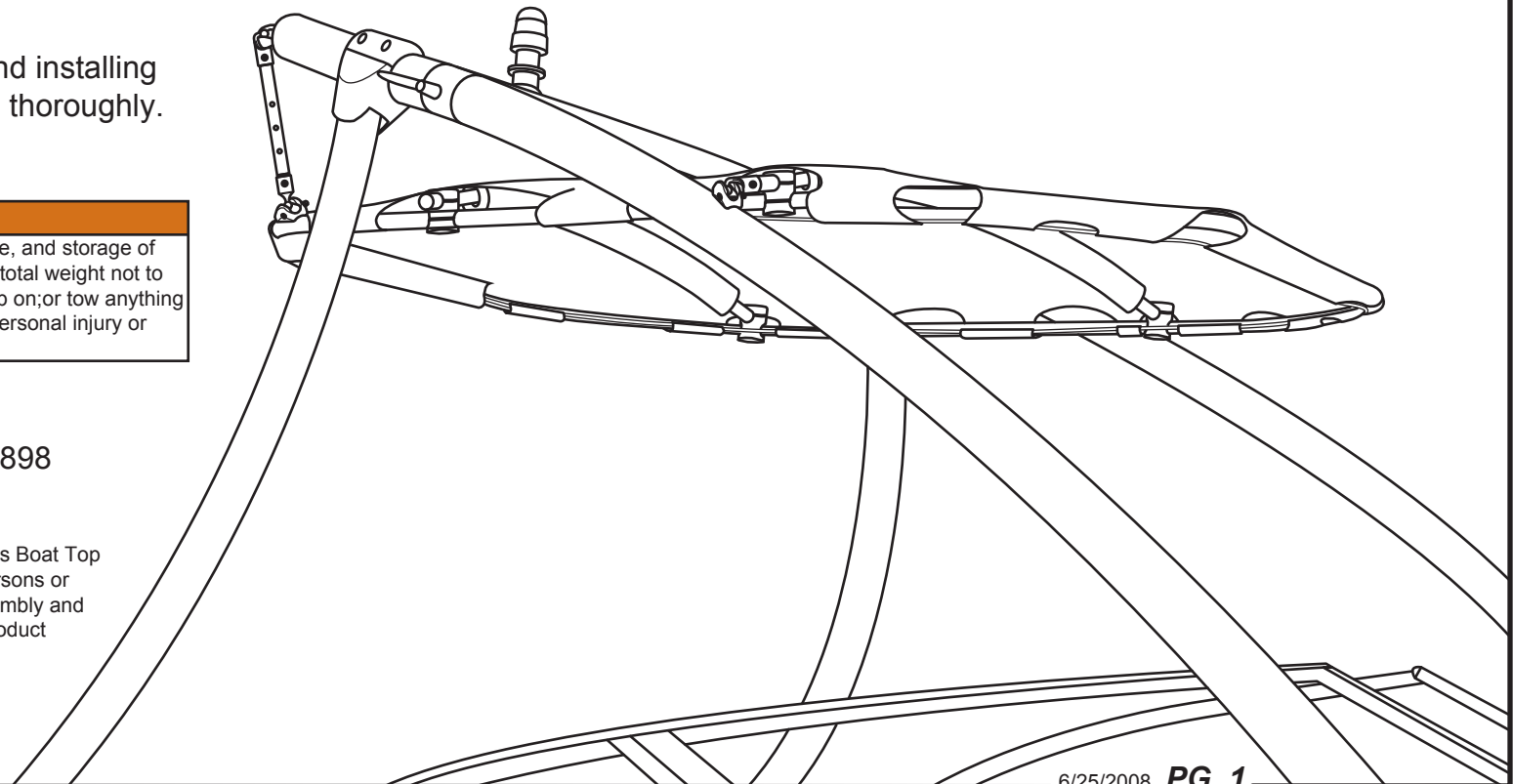
Before you begin assembling and installing your bimini, read all instructions thoroughly.

WARNING

Designed only for sunshade, wakeboard storage, and storage of inflatables no larger than the bimini frame with total weight not to exceed 45 lbs. Do not hang from; lie, sit, or climb on; or tow anything from the bimini. Any improper use may cause personal injury or death. Do not trailer at speeds over 45 MPH.

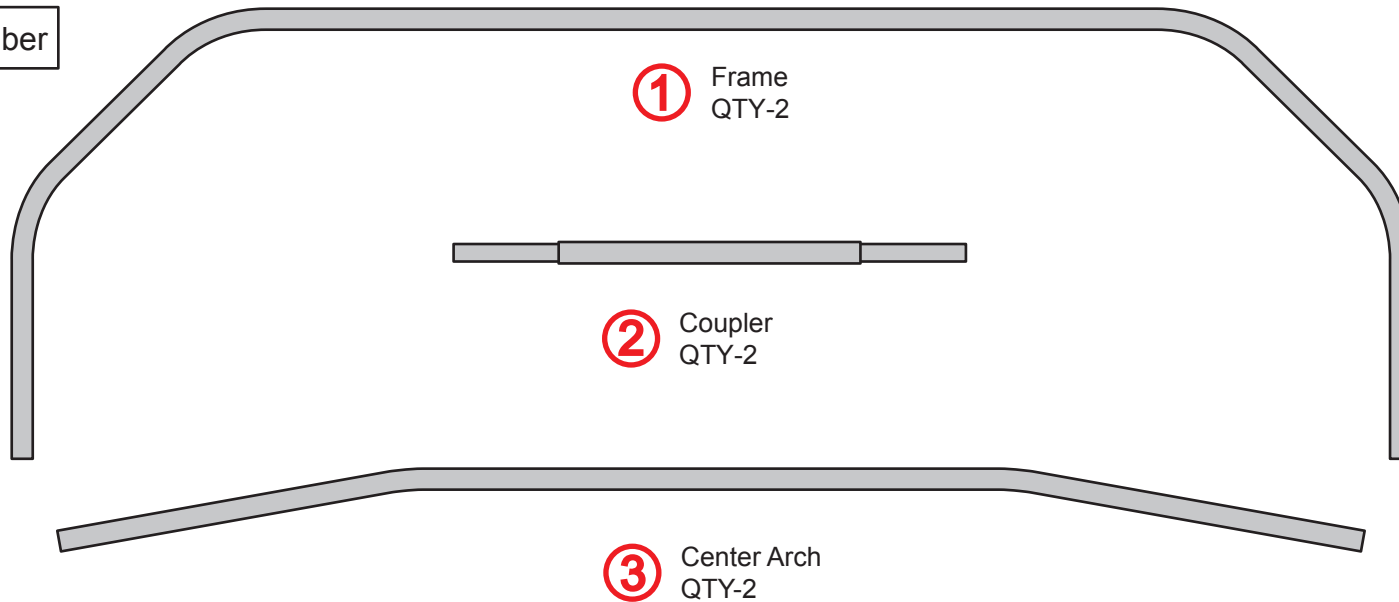
Customer Service: 1-865-981-9898

Neither Xtreme Tower Products nor Great Lakes Boat Top Company are responsible for any injuries to persons or damages to the boat and / or tower during assembly and installation of this product. Installation of this product may void your tower warranty, check with the manufacturer of your tower before proceeding. If you feel installing this product is beyond your capabilities, please seek help from your local marine dealer.

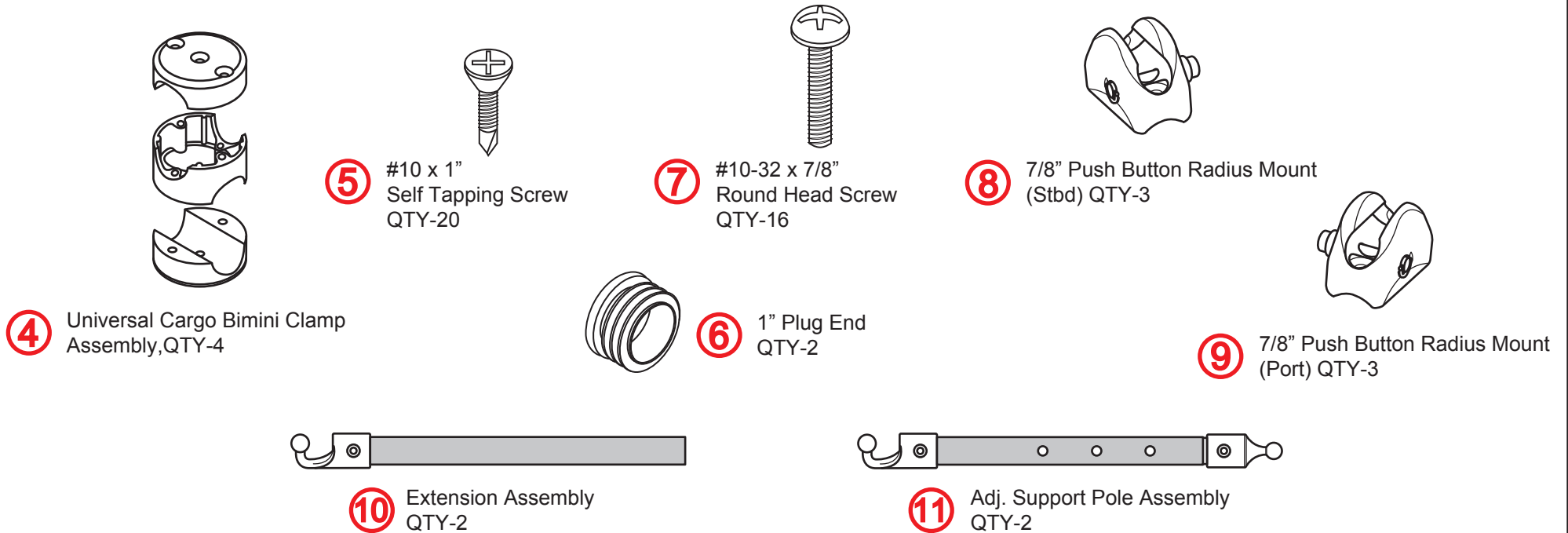


PARTS LIST AND HARDWARE IDENTIFICATION

○=Part I.D. Number

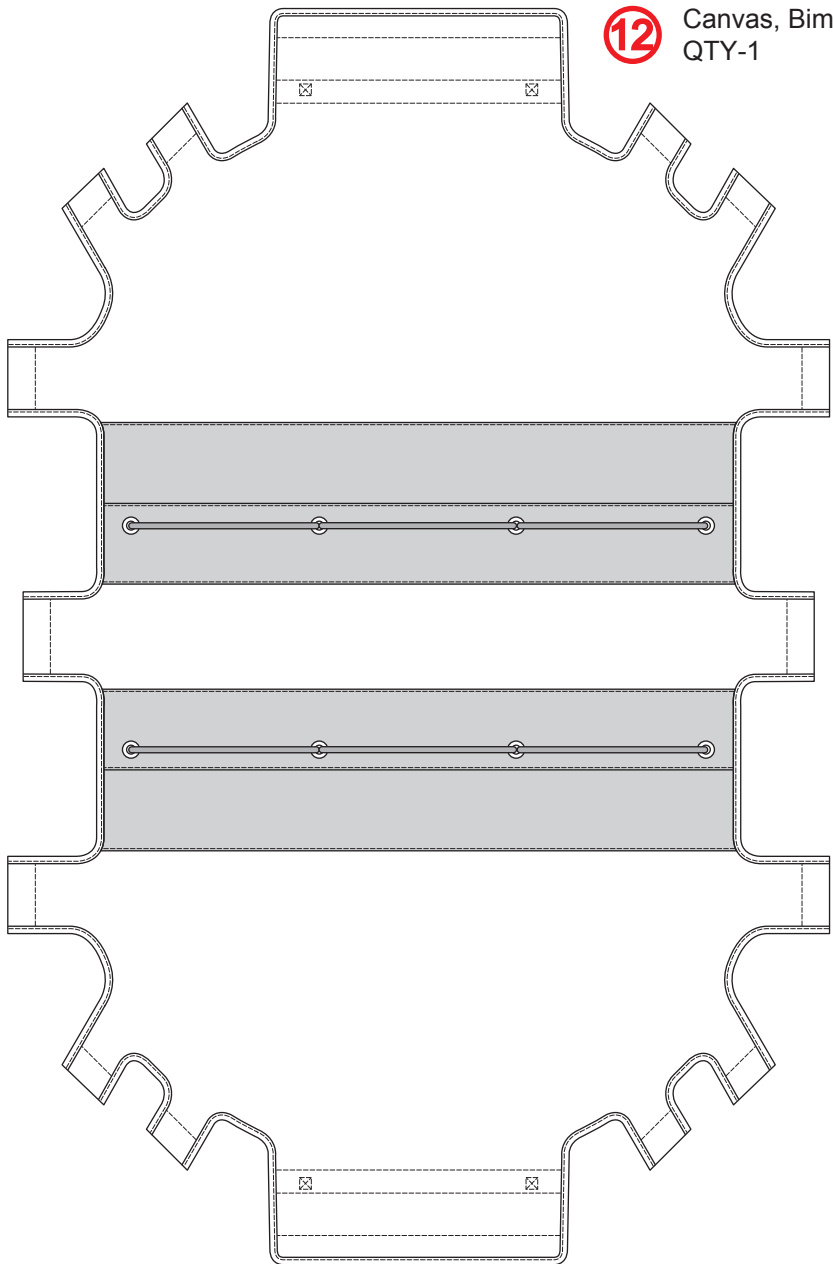


If your bimini is missing any of these parts, please contact the retailer or dealer from whom you purchased the bimini before proceeding with the installation.

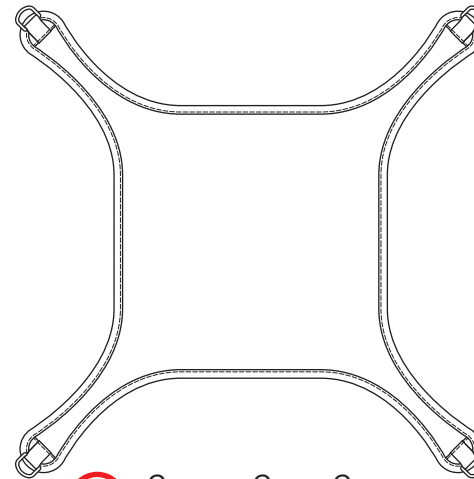


PARTS LIST AND HARDWARE IDENTIFICATION

 =Part I.D. Number



12 Canvas, Bimini Skin
QTY-1



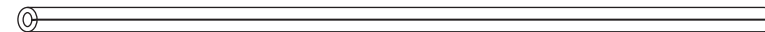
13 Canvas, Cargo Cover
QTY-1



14 1" Webbing Loops w/ D-Rings
QTY-4



15 Shock Cord With Hooks, Short
QTY-4



16 Foam
QTY-2



17 Canvas, Foam Cover
QTY-2



18 Rope Ratchet / Rope
QTY-2



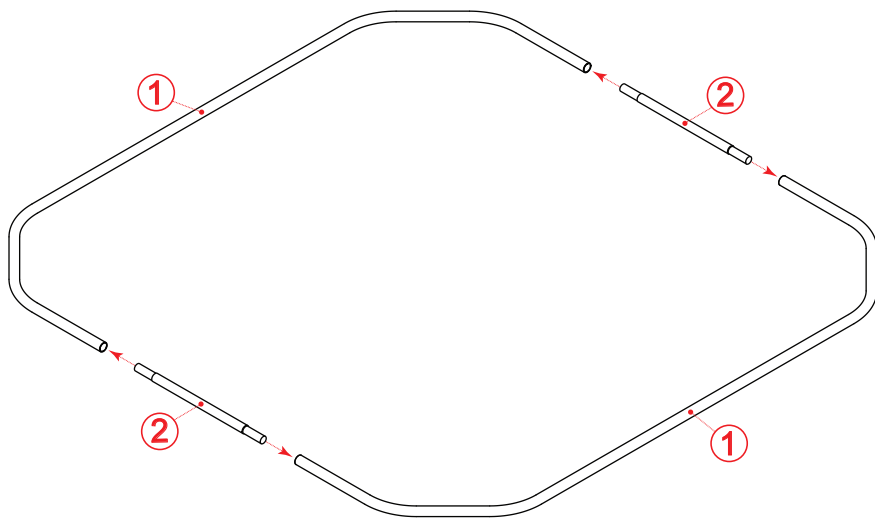
19 #20 Drill Bit
QTY-1

If your bimini is missing any of these parts, please contact the retailer or dealer from whom you purchased the bimini before proceeding with the installation.

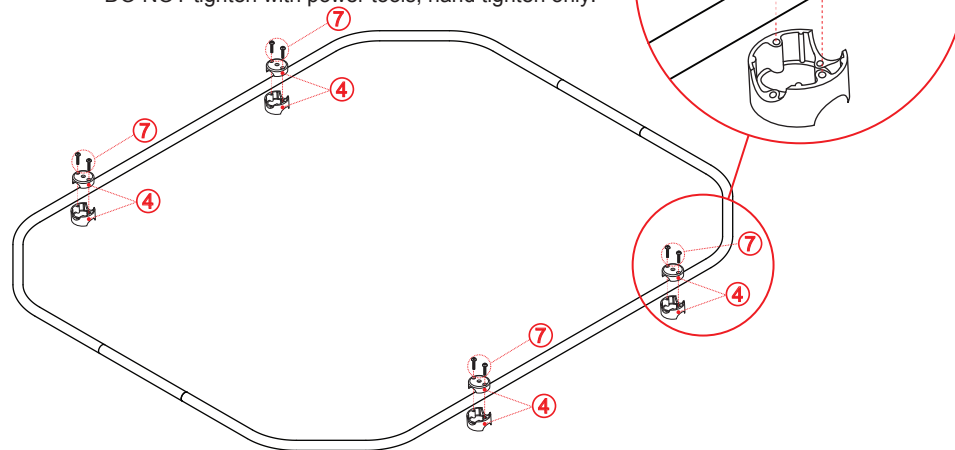
ATTENTION
Do Not install canvas cargo cover unless a tube is being stowed. Having the cargo cover installed without it's intended cargo can cause damage to the straps, canvas cargo cover and bimini canvas.

FRAME ASSEMBLY

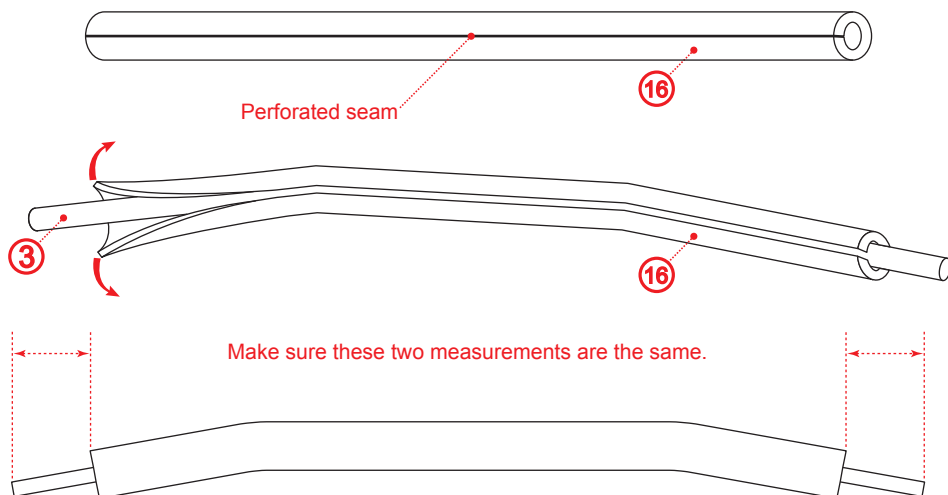
- 1 Main Frame Assembly:**
 Locate 2 frame tubings (#1) and 2 couplers (#2). Slide sleeves of couplers inside the ends of the frame tubing as shown. NOTE: For best results assemble on a flat, smooth and clean surface.



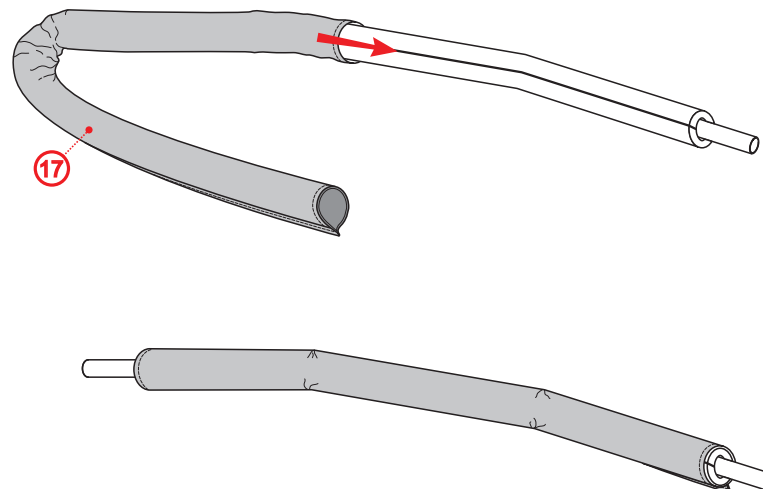
- 2 Installing Bimini Clamps:**
 Locate 4 center sections and 4 caps (#4). Position center section under frame tubing and cap on top of frame tubing, secure with 2 (#7) #10-32 round head screws as shown below. Proceed with 3 remaining clamps. NOTE: Leave screws slightly loose to allow adjustment when installing center arches. DO NOT tighten with power tools, hand tighten only.



- 3 Fitting Foam To Center Arches:**
 Locate 2 center arches (#3) and 2 pcs. of foam (#16). Locate perforated seam on foam and open seam on foam completely, then slide foam over center arch tubing. After foam is installed, make sure it is centered left to right on the arch. Repeat for second arch assembly.

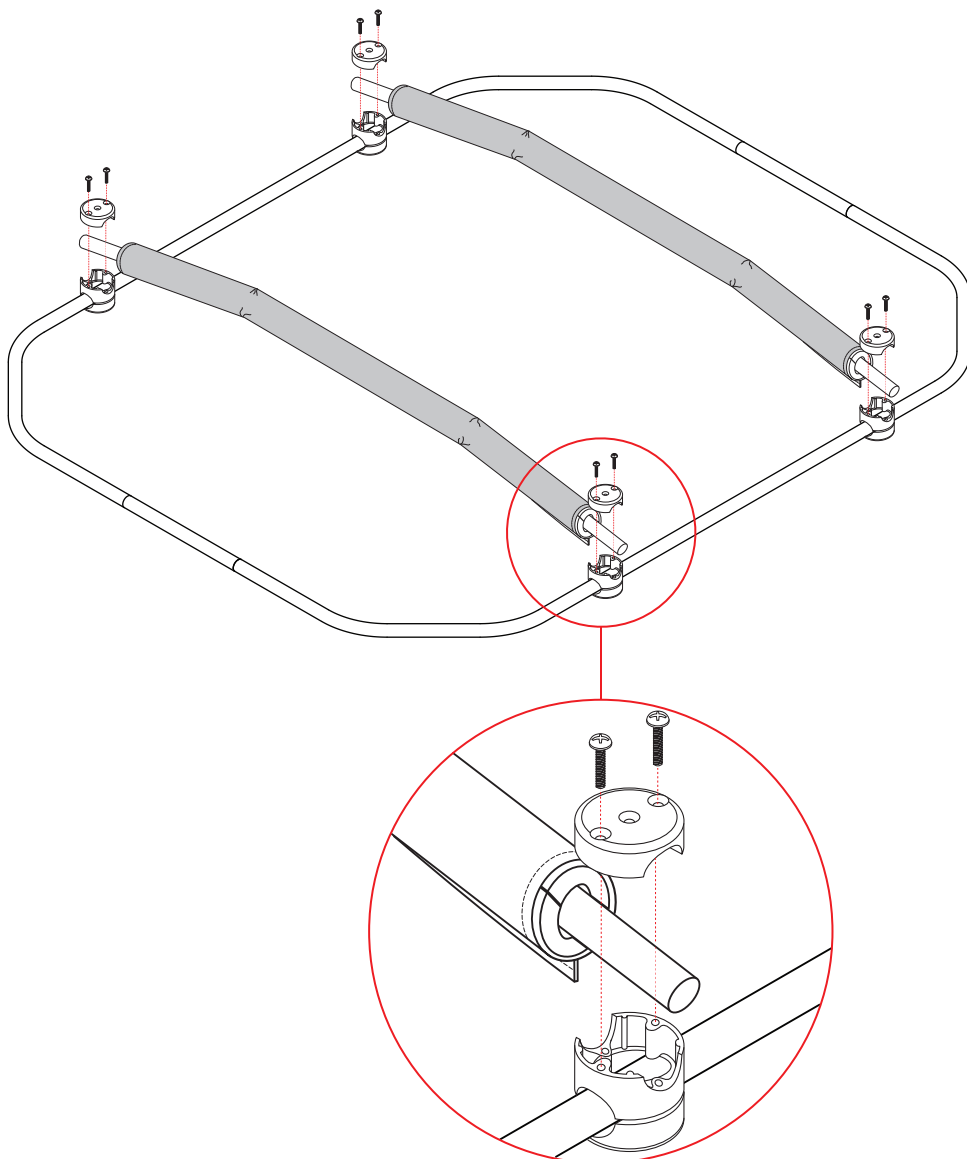


- 4 Fitting Foam Covers To Center Arches:**
 Insert arch / foam assembly into foam cover (#17), being sure the binding seam is facing downward. To ease installation, slide cover over foam in small increments until foam is completely covered.

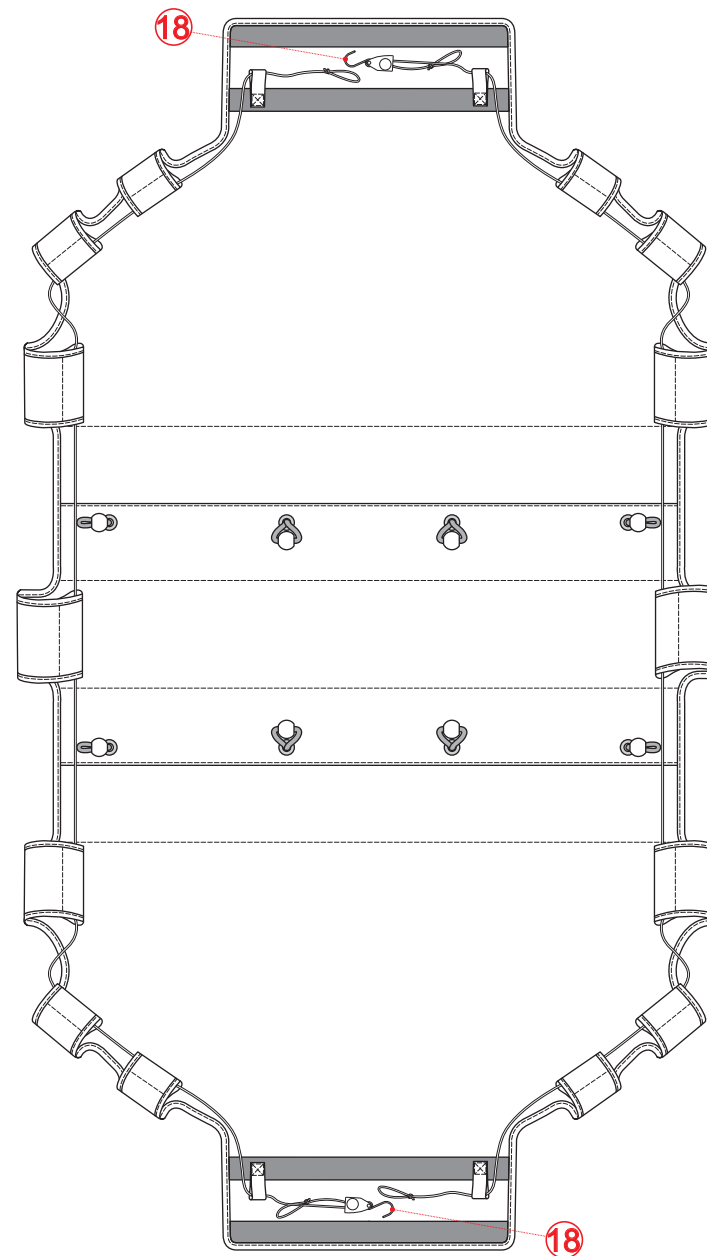


FRAME ASSEMBLY / CANVAS INSTALLATION

- 5** **Fitting Arch Assemblies To Frame:**
Rotate Bimini clamps on frame so that the open ends face upward. Install center arch assemblies onto clamp assemblies and cover with remaining caps. Secure caps with 8, (#7) #10-32 round head screws (2 each for each cap).
NOTE: DO NOT tighten with power tools, hand tighten only.



- 6** **Installing Rope Ratchet / Rope Into Canvas:**
Locate 2 rope ratchet assemblies (#18). Thread ropes through sleeves as shown below. Be sure to place one looped end of the rope and one ratchet on each end of the canvas.

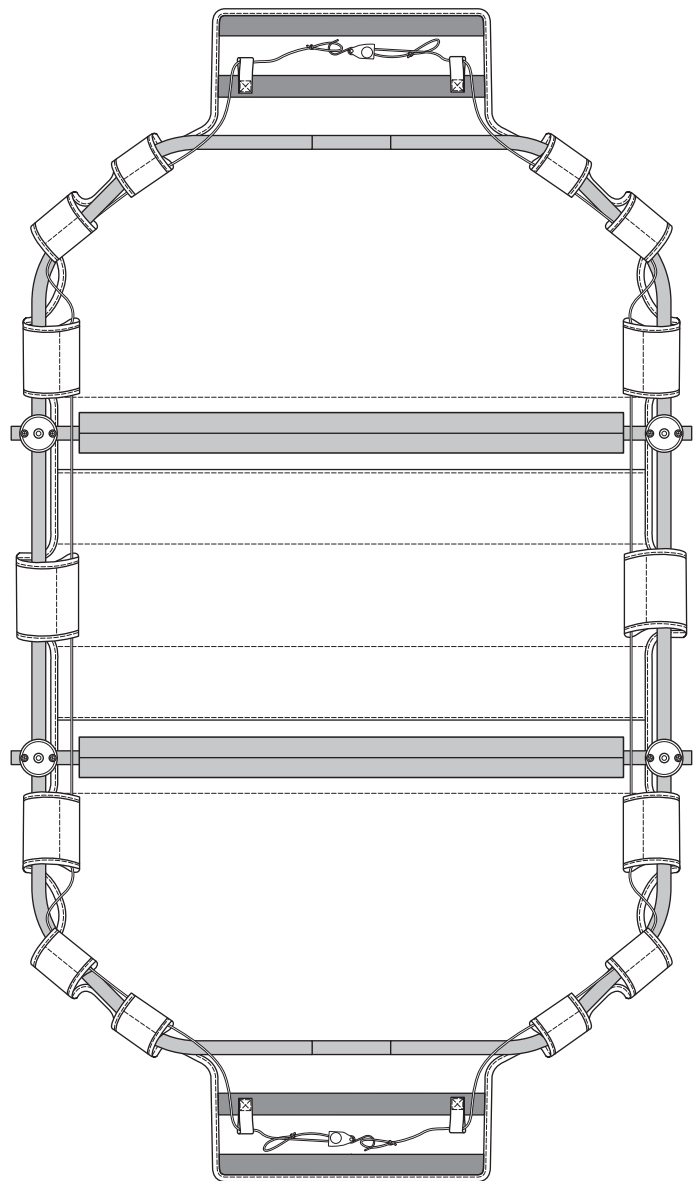


CANVAS INSTALLATION

7

Fitting Canvas To Frame:

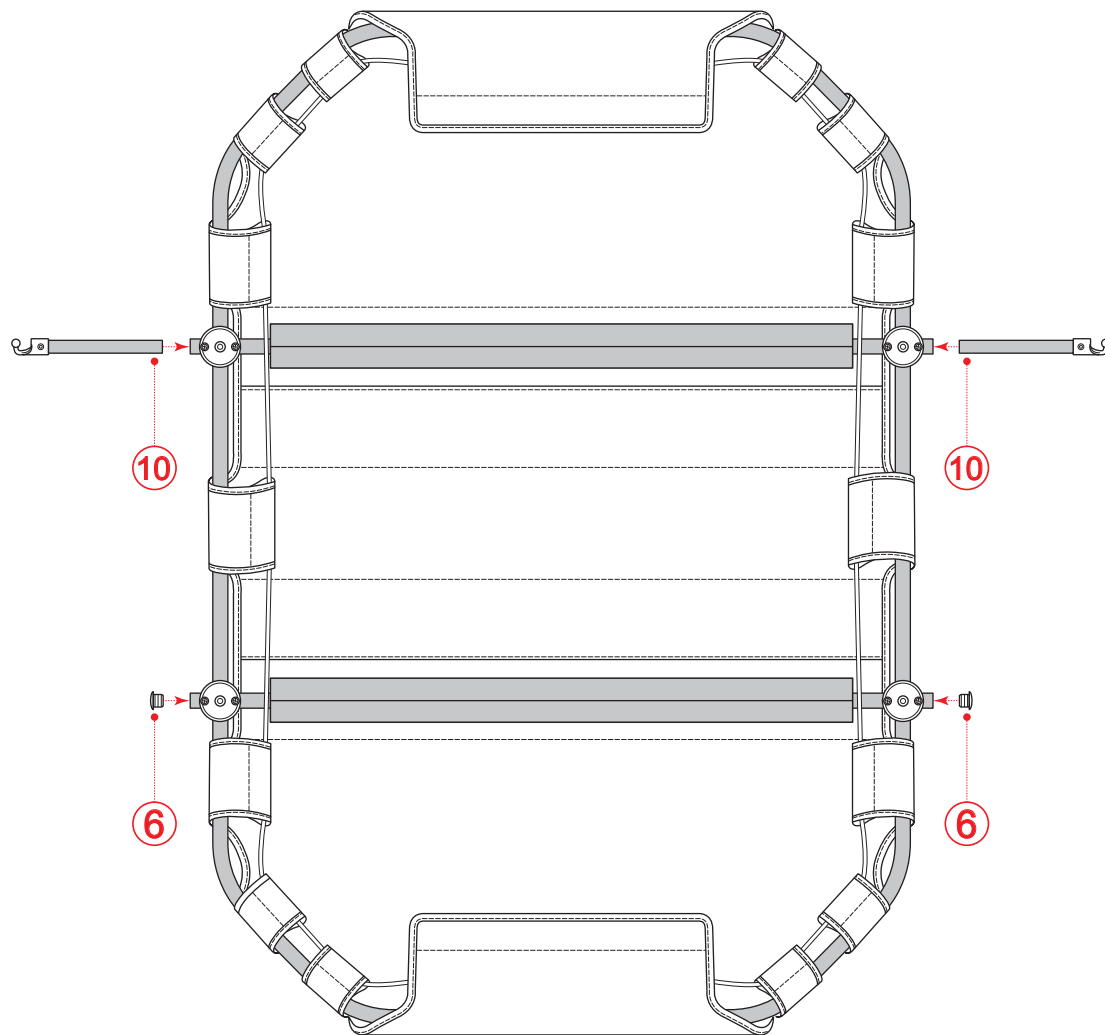
Insert assembled frame into canvas making sure that center arches bow outward towards canvas. Insert hooks of ratchets into looped rope ends and pull remaining looped ends of ropes to tighten canvas to frame. When desired tightness is obtained, close end flaps over ratchets.



8

Final Bimini Assembly:

Locate 2 extension assemblies (#10) and 2 1" plug ends (#6). Slide one extension assembly into each end of the same center arch. Insert one end plug into each end of the remaining center arch. NOTE: The center arch with the extensions will be the FRONT of the bimini.



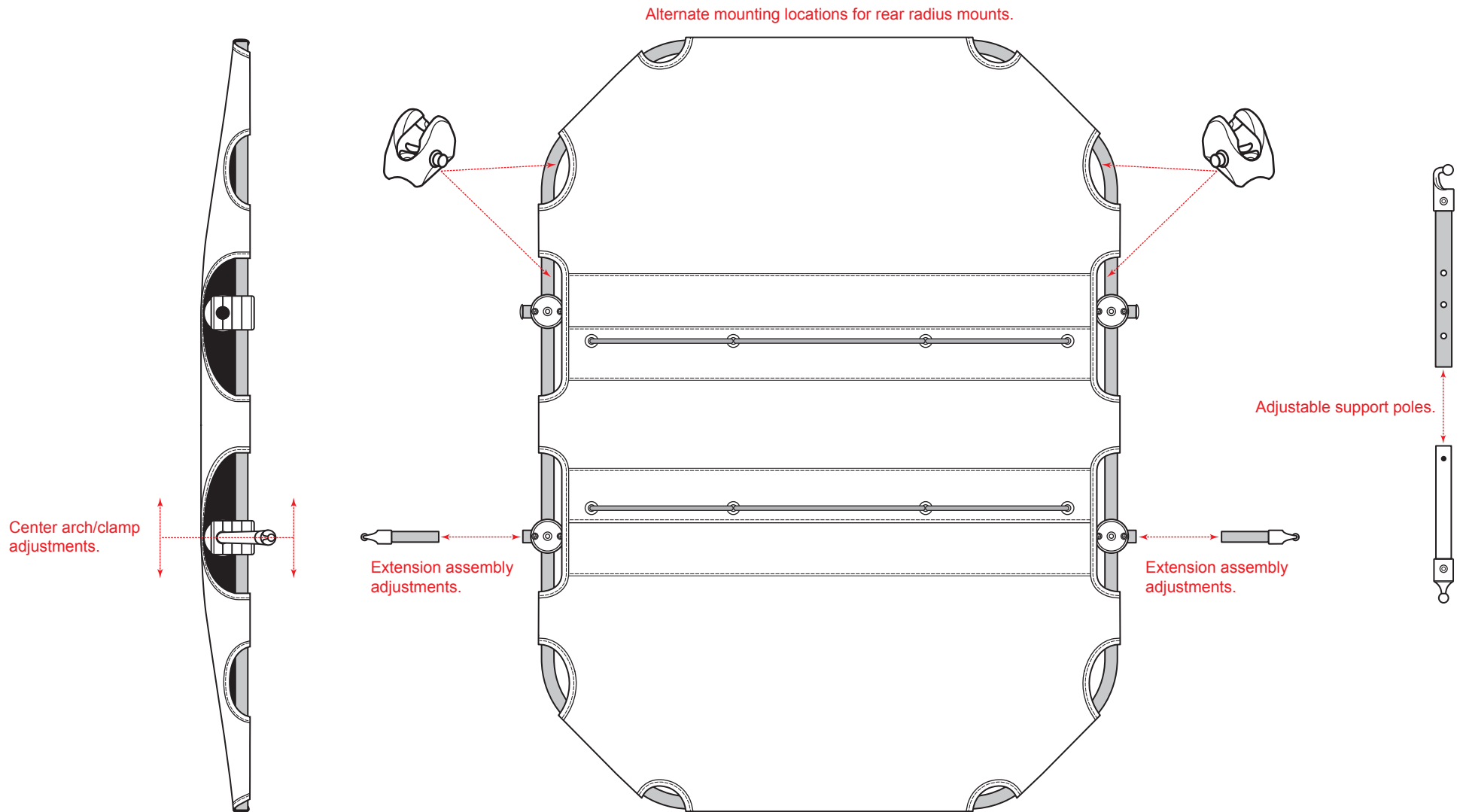
BIMINI INSTALLATION

9

Mounting Adjustments and Variations:

Your tower bimini is designed to fit many tower variations and features four adjustment points to allow for different tower designs. The center arches/clamps may be adjusted fore and aft to adjust to your towers depth and overhang at front and rear, extension assemblies may be adjusted in and out of the center arch for width adjustment, and the adjustable support poles allow three length adjustments and can be mounted with radius mounts in various locations along the back section of the bimini frame.

* As there are many different tower designs, the following installation instructions should be followed as a general guide only.

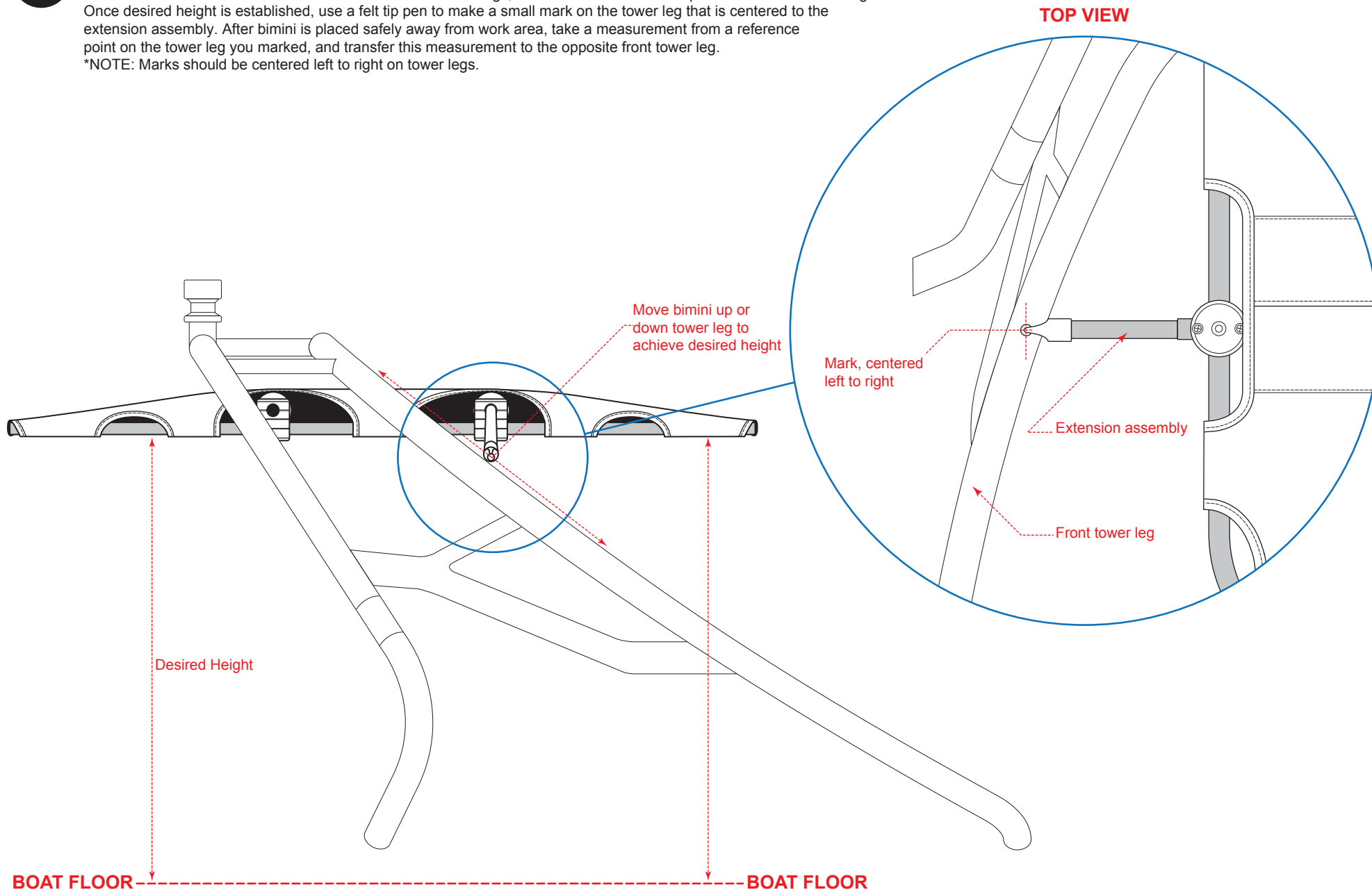


BIMINI INSTALLATION

10

Determining Mounting Location For Front Radius Mounts:

The use of an assistant is recommended for the following steps. Determine height desired from the floor of your boat to the bimini. With extension assemblies extended to center of front tower legs, the bimini can be moved up and down to desired height. Once desired height is established, use a felt tip pen to make a small mark on the tower leg that is centered to the extension assembly. After bimini is placed safely away from work area, take a measurement from a reference point on the tower leg you marked, and transfer this measurement to the opposite front tower leg. *NOTE: Marks should be centered left to right on tower legs.

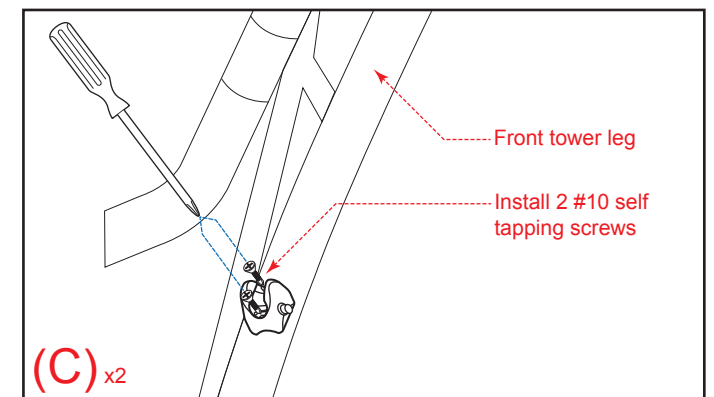
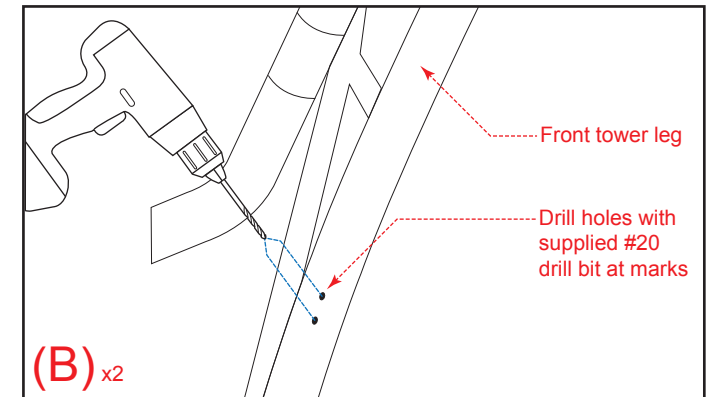
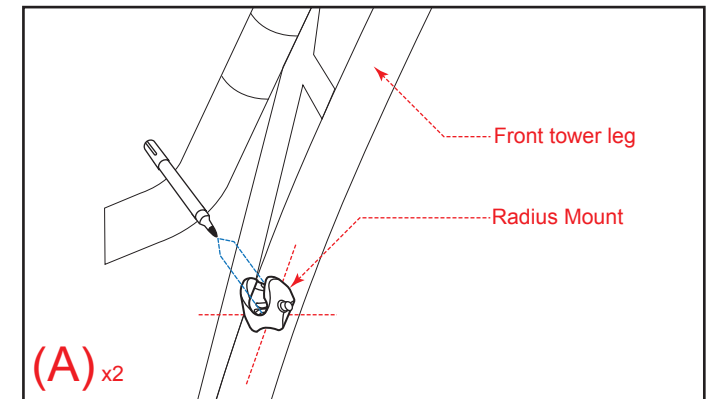
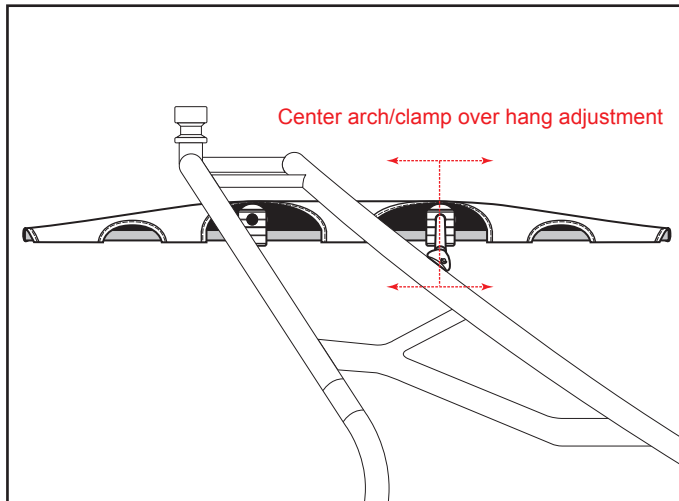
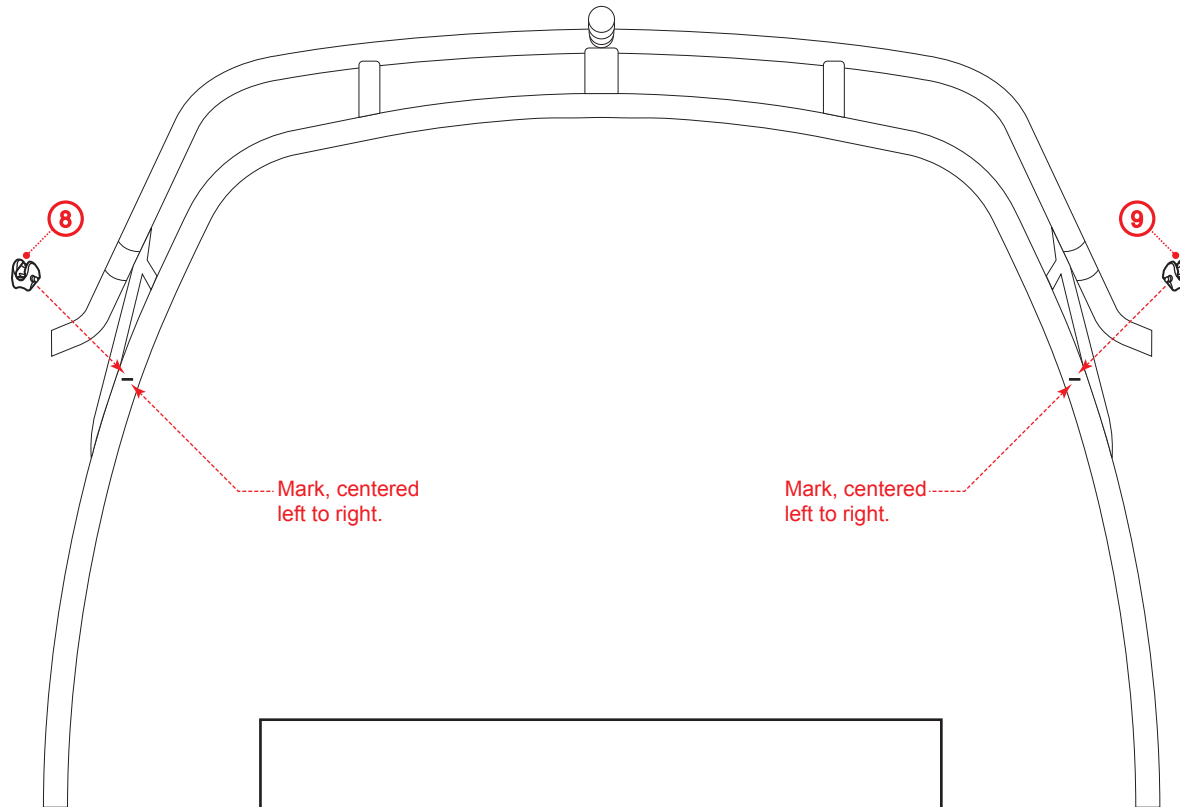


BIMINI INSTALLATION

11

Mounting Front Radius Mounts:

After assuring that marks are at the same height and centered, center the appropriate radius mount (#8, #9) over each mark and mark the two screw holes (A).
 *NOTE: Be sure that radius mount direction is correct, the push button on the mount should face towards the INSIDE of the boat. Drill all four holes with the supplied (#19) #20 drill bit (B) (a drop cloth may be used to catch shavings). Attach radius mounts with four of the supplied (#5) self tapping #10 screws (C). Mount bimini/extensions into radius mounts. With front clamp screws loosened, adjust bimini fore or aft to achieve desired overhang at front and rear.

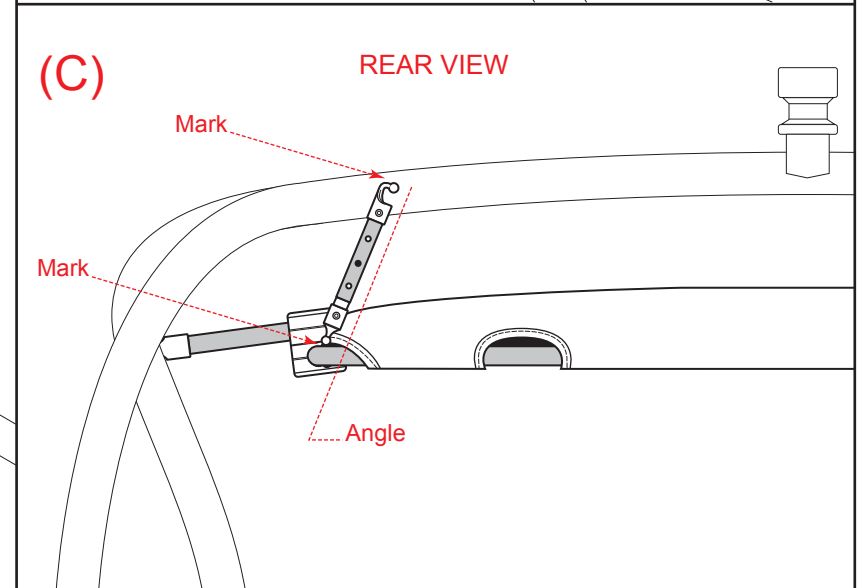
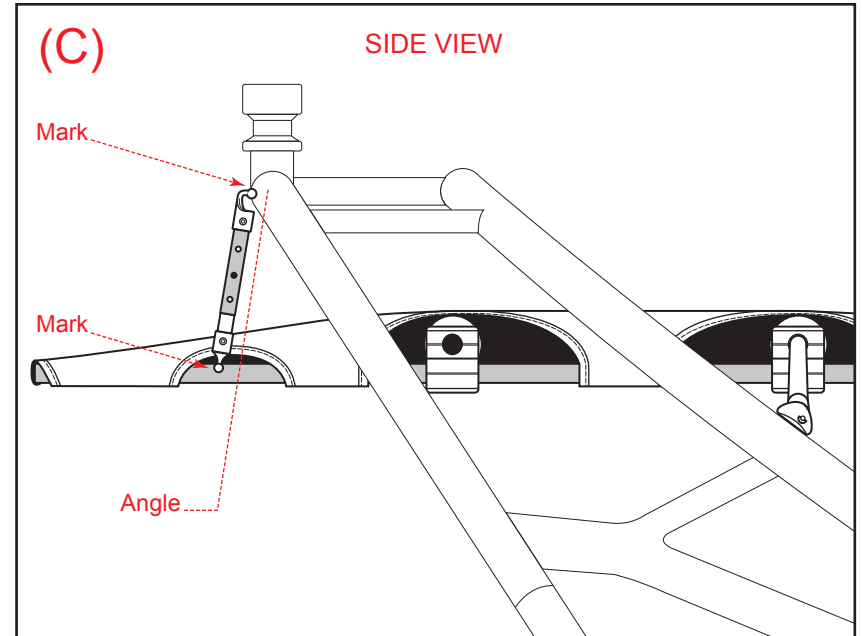
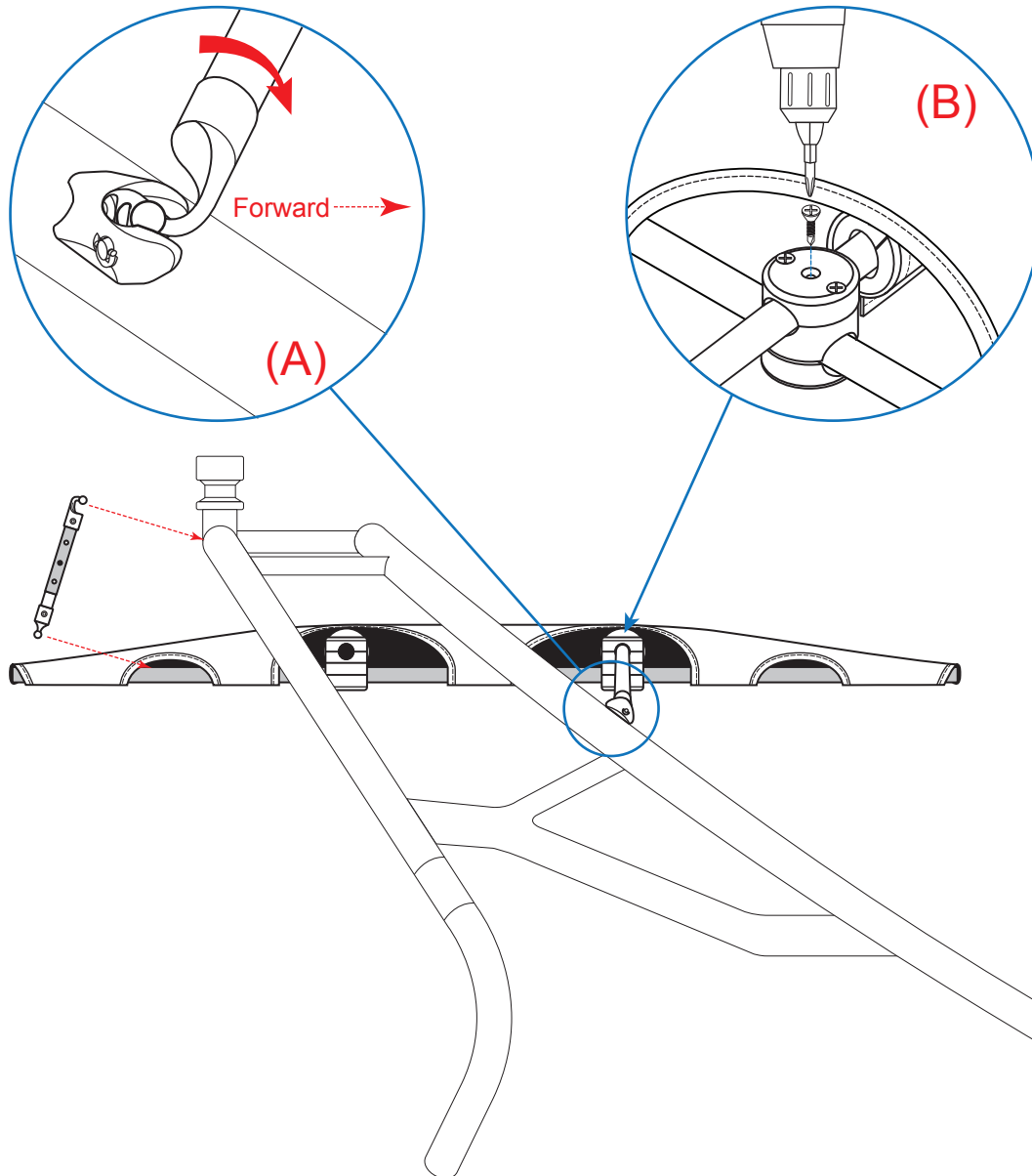


BIMINI INSTALLATION

12 Mounting Rear Radius Mounts and Adjustable Support Poles:

*Before proceeding, make sure that the front extensions are rotated forward in the radius mounts to allow for tilting the back of the bimini downward (A). To allow for optimum adjustment, set adjustable support poles to the medium length position (center hole) before starting installation. With an assistant holding the bimini level, install one supplied (#5) self tapping #10 screw into the center hole of all 4 clamps to secure the arches in position (B). Determine mounting position by aligning adjustable support pole to bimini frame and tower.

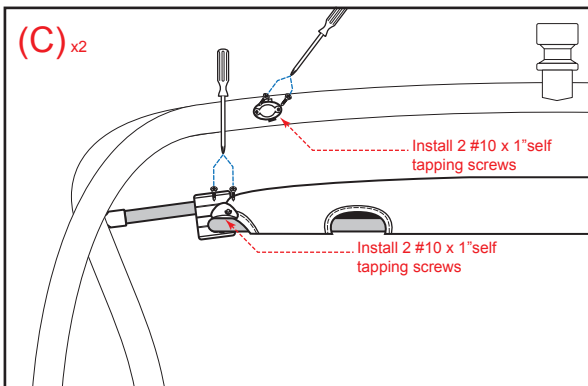
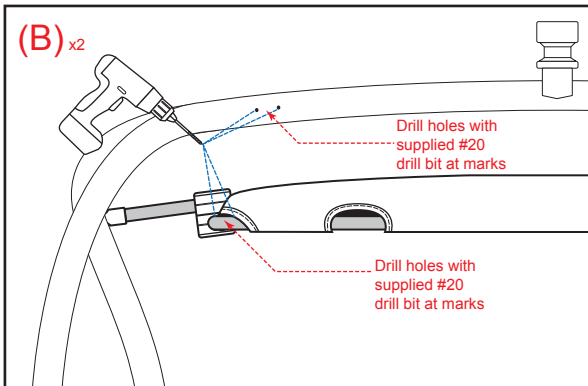
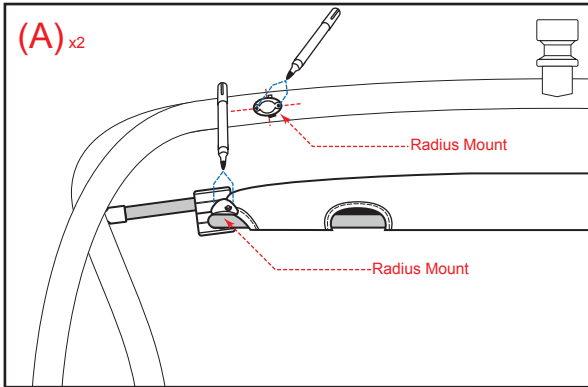
NOTE: To increase stability of the bimini, rear adjustable support poles should be angled front to back and left to right (C).



BIMINI INSTALLATION

13 Mounting Rear Radius Mounts and Adjustable Support Poles:

When desired placement has been achieved, make a small mark at each end of the adjustable support pole (one mark on tower, one mark on bimini frame) assuring that the marks are centered. Take a measurement from a reference point and mark the other side of the tower and bimini frame. After assuring that the marks are in the same position and centered, center a radius mount over each mark and mark the two screw holes (A). NOTE: Be sure that radius mount direction is correct, the push button on the mount should face towards the INSIDE of the boat. Drill all eight holes with the supplied (#19) #20 drill bit (B) (a drop cloth may be used to catch shavings). Attach (4) radius mounts with eight of the supplied (#5) self tapping #10 screws (C). Mount adjustable support poles into radius mounts. Assure that all radius mounts are in the locked position and check tightness of clamp screws. Enjoy your bimini!

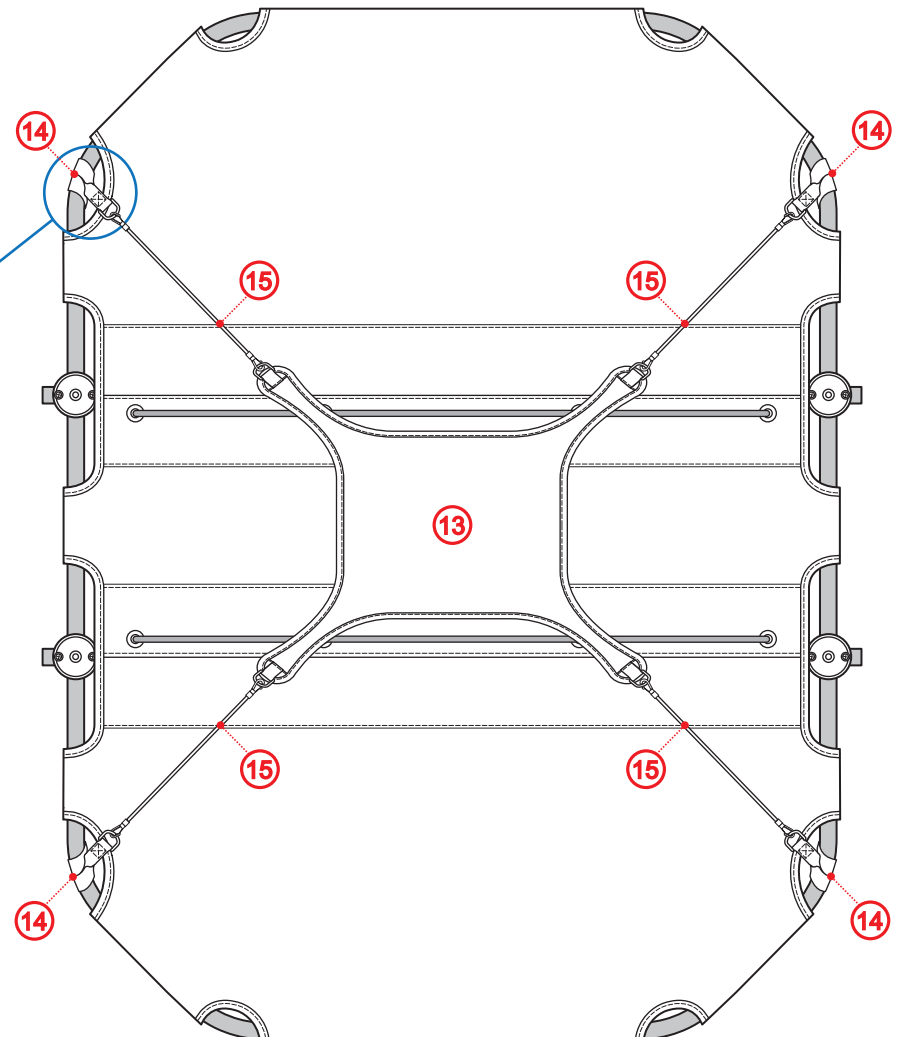
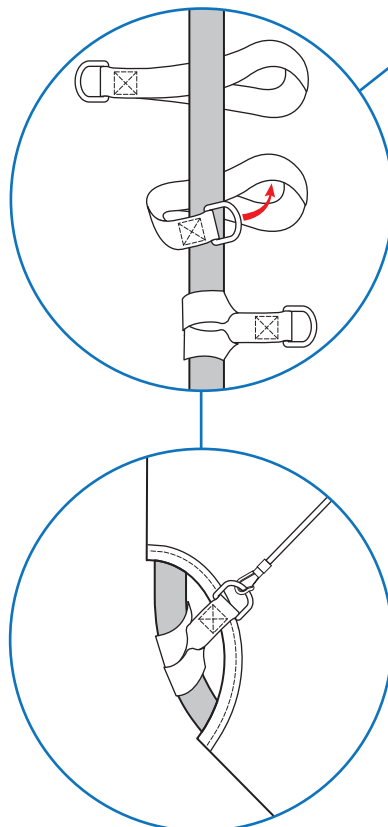


14 Mounting Cargo Cover:

See diagrams below for installation. Components are as follows: 4- webbing loops with D-rings (#14), 4-shock cords with hooks for canvas cargo cover (#15), and 1-canvas cargo cover (#13).

ATTENTION

Do Not install canvas cargo cover unless a tube is being stowed. Having the cargo cover installed without it's intended cargo can cause damage to the straps, canvas cargo cover and bimini canvas.



FRAME ASSEMBLY

○=Part I.D. Number

WARNING
 Designed only for sunshade, wakeboard storage, and storage of inflatables no larger than the bimini frame with total weight not to exceed 45 lbs. Do not hang from; lie, sit, or climb on; or tow anything from the bimini. Any improper use may cause personal injury or death. Do not trailer at speeds over 45 MPH.

