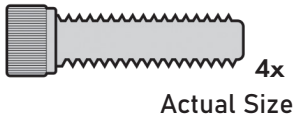


UHF Marine Antenna Bracket

INSTALLATION MANUAL

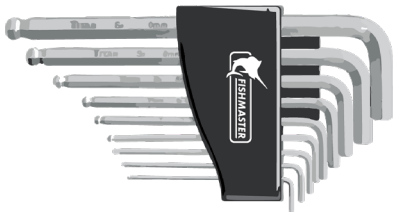
Included Hardware Identification



The Fishmaster UHF Antenna Bracket comes with standard 14 threads and requires no drilling, easily attaching it to the t-top frame. Love it or return it, **GUARANTEED!**
Tube Diameter: 1" / Tube height: 1.25"

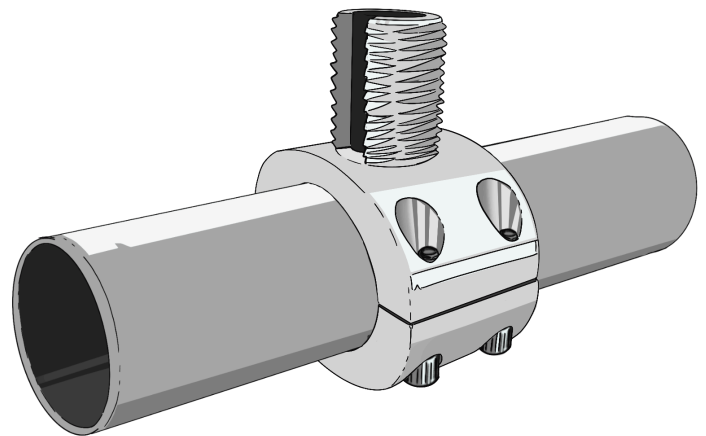
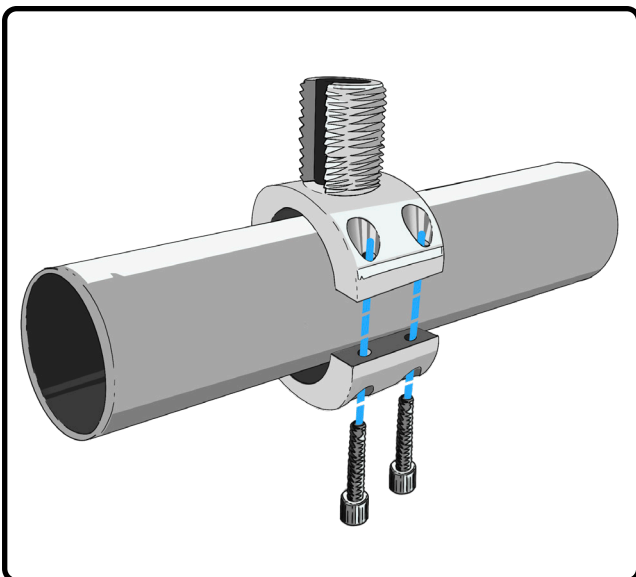
Gather Additional Tools and Materials

Allen Wrench Set



Installing the UHF Marine Antenna Bracket

1. To install, simply determine where you would like to have it mounted. Place on t-top in the desired location and then tighten down the screws.



Do you have questions? Call us @ 877.777.8693 Monday – Friday, 8am-5pm EST