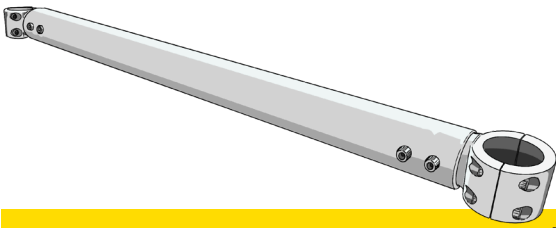


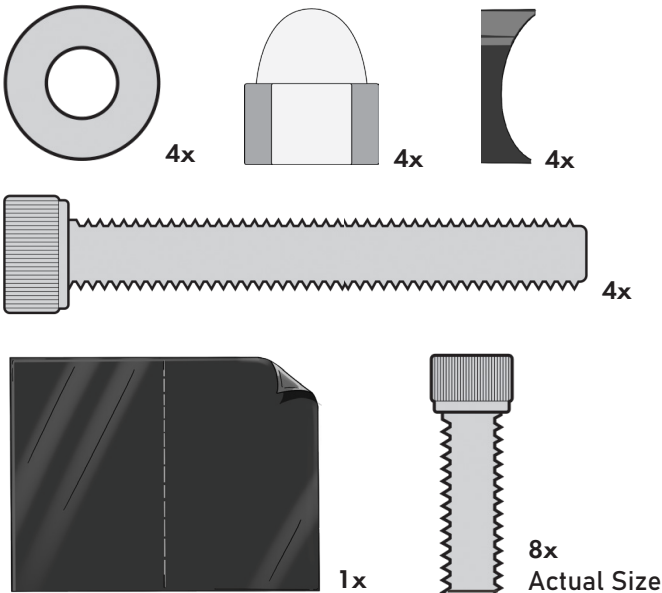


Stabilizer Bar for Original T-Top



INSTALLATION MANUAL

Included Hardware Identification



If rough waters are your game, Fishmaster offers additional t-top support with our stabilizer bar. Don't worry, the Fishmaster T-Top is strong as is, but for fisherman that desires to test the waters, you will want to invest in our t-top stabilizer bar. NOTE: ONLY COMPATIBLE WITH ORIGINAL FISHMASTER T-TOP OR OTHER 1.9" T-TOPS.

Gather Additional Tools and Materials

Permanent Marker



Allen Wrench Set



Hand Drill



* Loctite® 242 Blue



13/64" Drill Bit



*Loctite® 242 Blue can be applied to any bolt during assembly to ensure a locking fit.

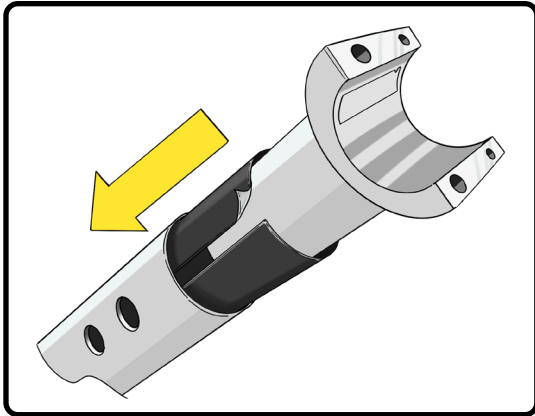


Do you have questions? Call us @ 877.777.8693 Monday – Friday, 8am-5pm EST

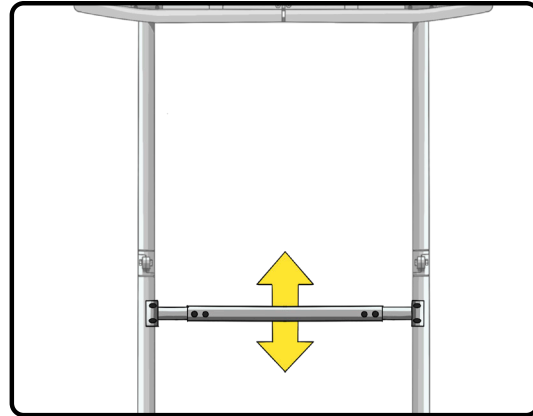
1

Step 1: Assemble the Stabilizer Bar

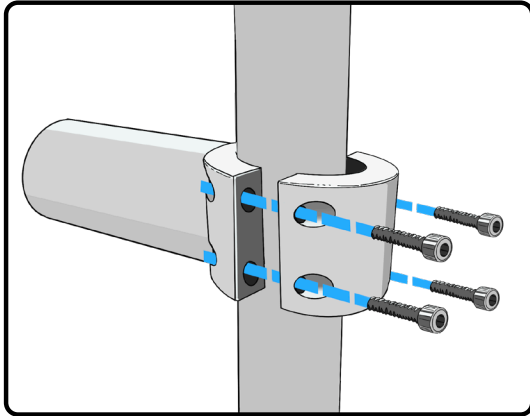
1. Slide the Stabilizer Bar end sections with a cut section of shim stock into the cross tube.



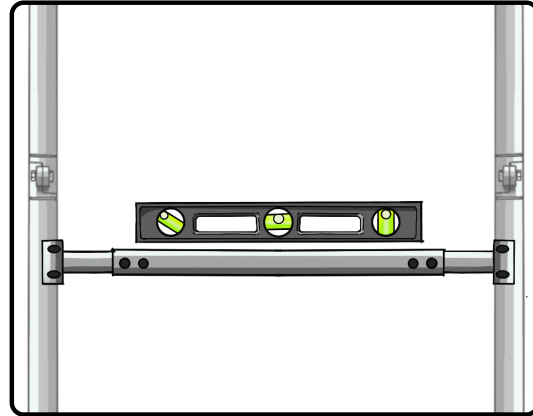
2. Place the Stabilizer Bar into the desired position on the top.



3. Secure one side with the end cap and bolts.

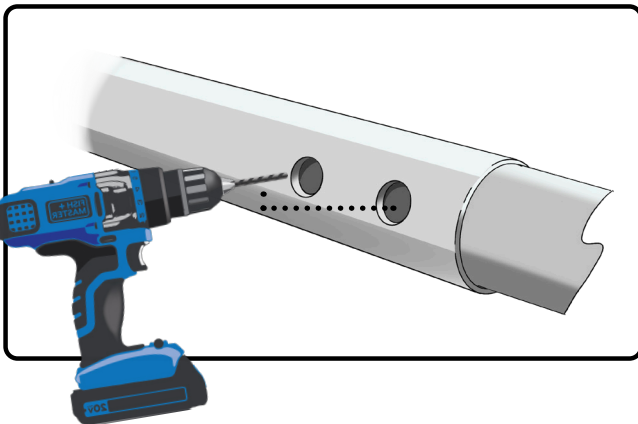


4. Make sure the bar is level before securing the other side.

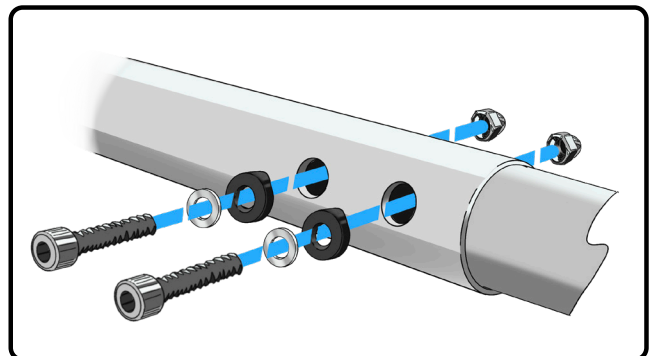


Step 2: Install Hardware

1. Make sure the bar is centered. Drill out the four holes in the stabilizer bar for the bolts.



2. Install the bolts with the washer, flanges, and nuts then tighten.



Do you have questions? Call us @ 877.777.8693 Monday – Friday, 8am-5pm EST