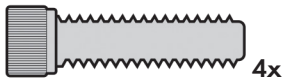


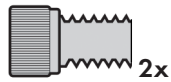
# Radome Mounting Plate

## INSTALLATION MANUAL

### Included Hardware Identification



4x



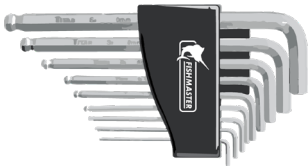
2x

Actual Size

Mount your radar to our Radome Mounting Plate!  
 Designed to mount easily to your Fishmaster t-top frame or any 1.9" tubing.

### Gather Additional Tools and Materials

Allen Wrench Set

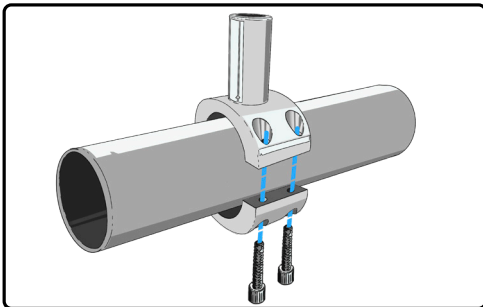


Red Thread Locker

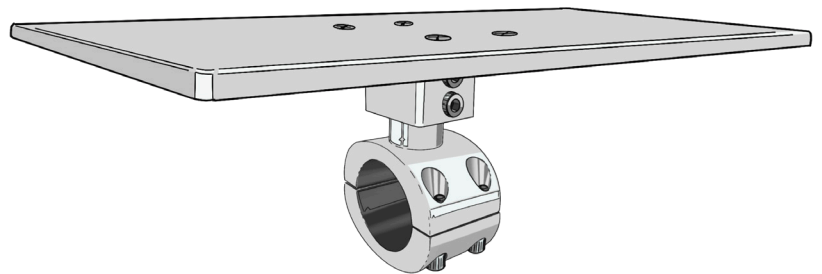
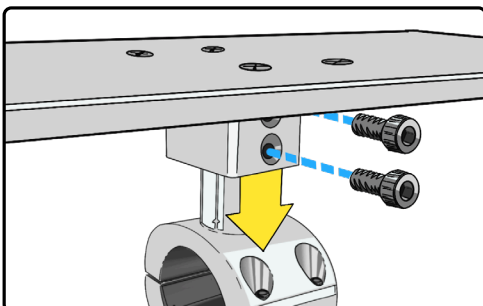


### Installing the Mount on T-Top Frame

1. Place on t-top in the desired location, apply thread locker, then tighten down the M6 bolts.



2. Slide the mounting plate onto the post, apply thread locker, then tighten down the bolts.



Do you have questions? Call us @ 877.777.8693 Monday – Friday, 8am-5pm EST