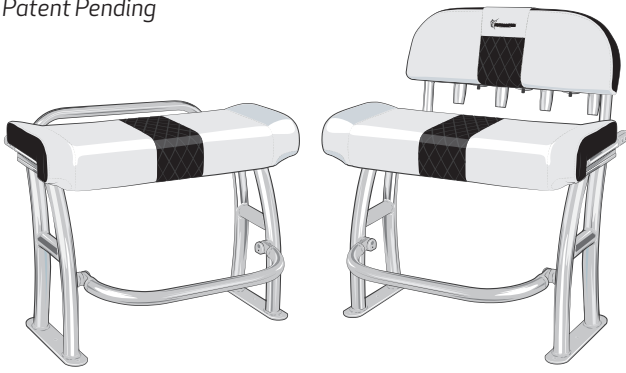


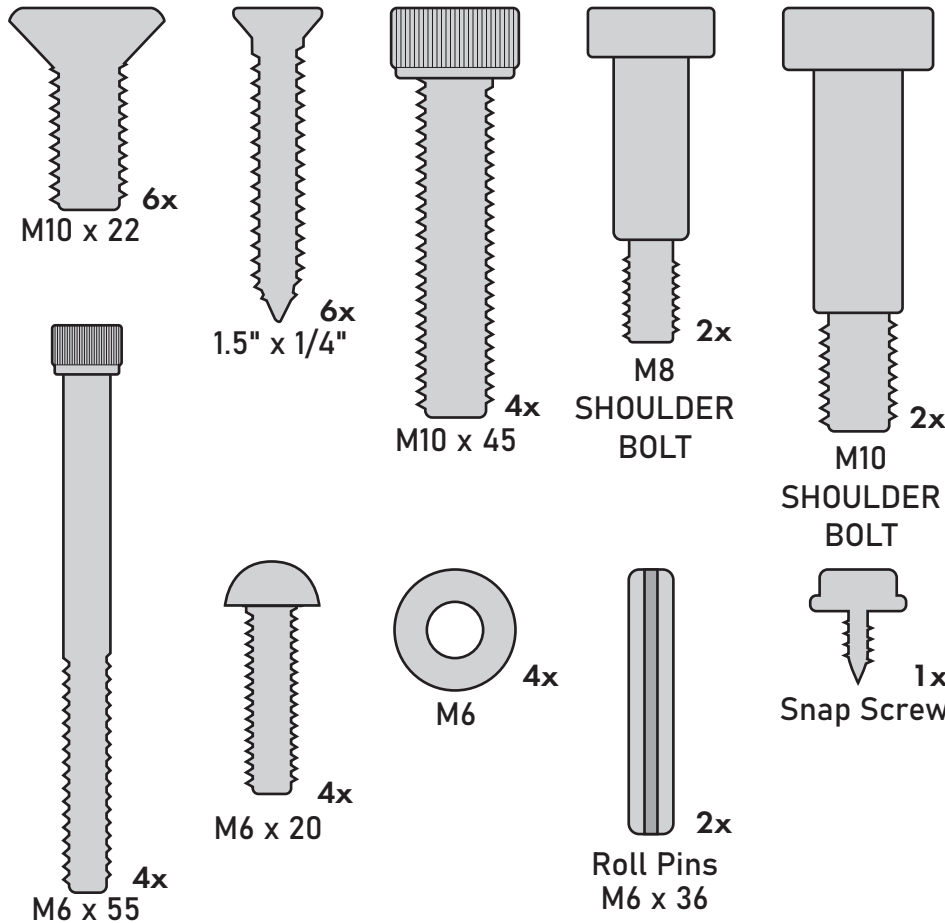
Patent Pending



PRO SERIES LEANING POST

INSTALLATION MANUAL

Pro Series Leaning Post Included Hardware Identification



Verify all parts are included before you begin.

- (1) Leg Base (R)
- (1) Leg Base (L)
- (1) Seat Platform
- (1) Foot Rest
- (2) Seat Hinge Bracket
- (1) Seat Cushion
- (6) M10 x 22 Panhead Bolts
- (6) 1.5" x 1/4" Deck Screws
- (4) M10 x 45 Bolts
- (4) M6 x 20 Button Head Bolts
- (2) M8 Shoulder Bolts
- (2) M10 Shoulder Bolts
- (1) Snap Screw
- (4) M6 Washers
- (2) Roll Pins
- (2) Allen Wrench
- (1) Grease Packet

Also included if you purchased
A. Standard Grab Bar Option:

- (1) Grab Bar

B. Deluxe Backrest Option:

- (1) Backrest Frame
- (1) Backrest Upholstery
- (3) Stainless Steel Cup Holders
- (4) M6 Washers
- (4) M6 x 55 Shoulder Bolts

Gather additional necessary tools and materials:

- Blue painter's tape
- Black permanent marker
- Tape measure
- Cordless drill with 1/8" bit
- 45° chamfer bit
- Metric allen wrench set
- Phillips head screwdriver
- Rubber mallet
- Tube of 3M™ 5200 Marine Adhesive
- Thread Lock Medium Strength



CAUTION: If you are unfamiliar with your boat's construction, please seek professional advice before installing the leaning post.

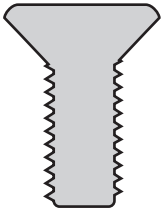
For added assistance when installing the leaning post, please consider watching the installation video at: fishmaster.com
Or call us at 877-777-8693

As you plan to install the Fishmaster Pro Series Leaning Post, keep in mind that drilling into the deck of the boat is needed in order to safely secure the leaning post to the boat.

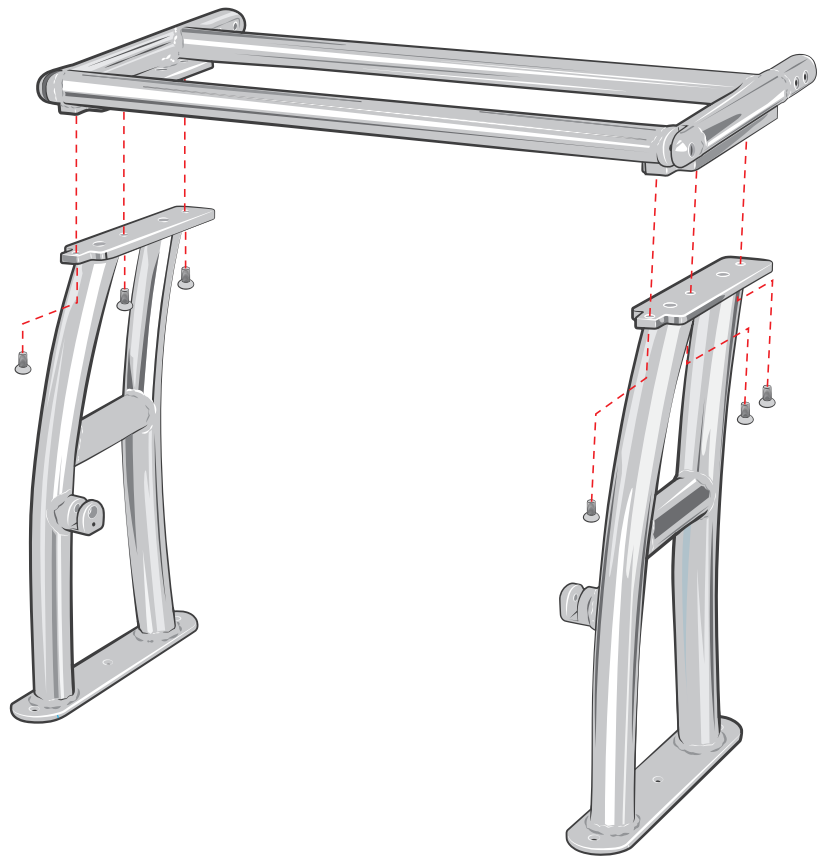


Do you have questions? Call us @ 877.777.8693 Monday – Friday, 8am-5pm EST

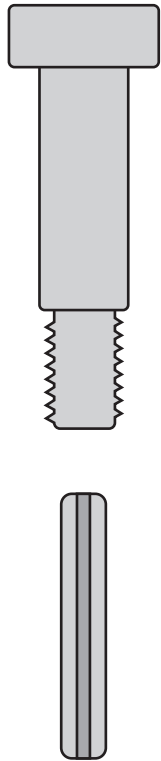
STEP 1: Install the Pro Series Leaning Post Seat Platform to Leg Bases



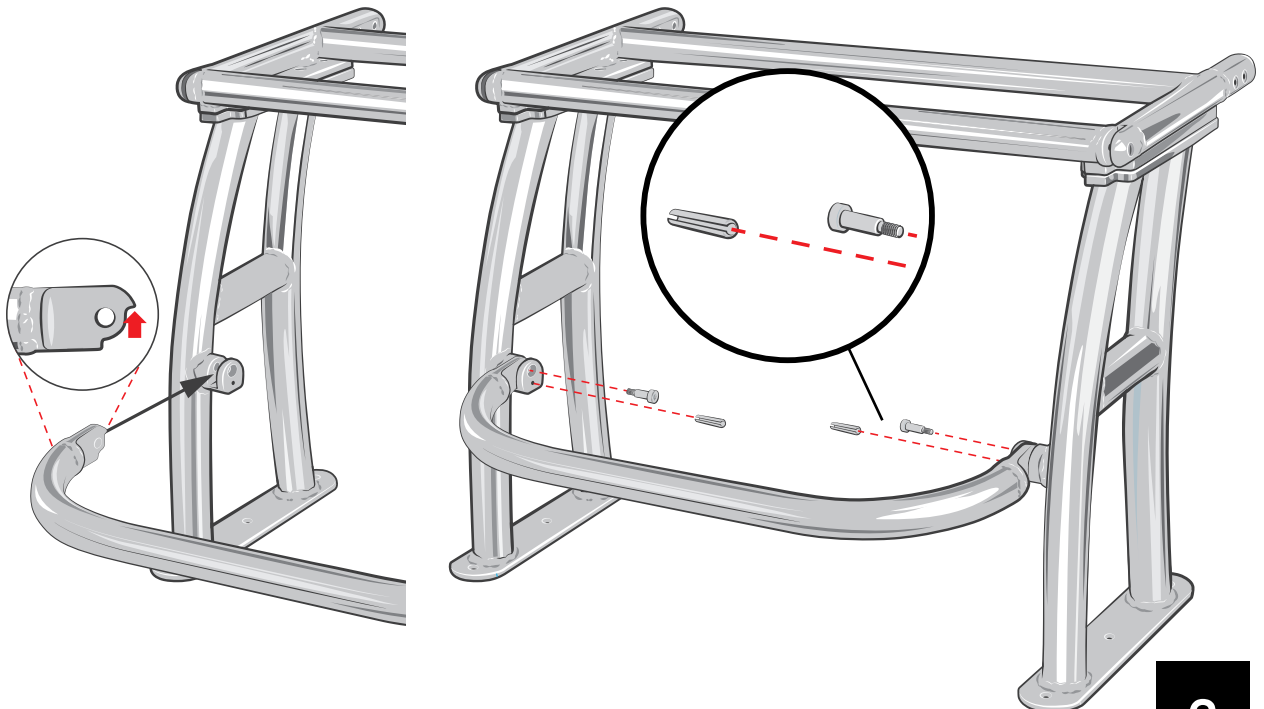
1. Position leg bases with foot rest attachment aligned and facing each other.
2. Place seat platform on top of leg bases while aligning holes on the top of the leg bases.
3. Secure platform to leg bases with 6 M10 x 22 bolts from the underside of the leg bases with 6mm allen wrench. Tighten firmly.



STEP 2: Install the Pro Series Leaning Post Foot Rest to Leaning Post Assembly



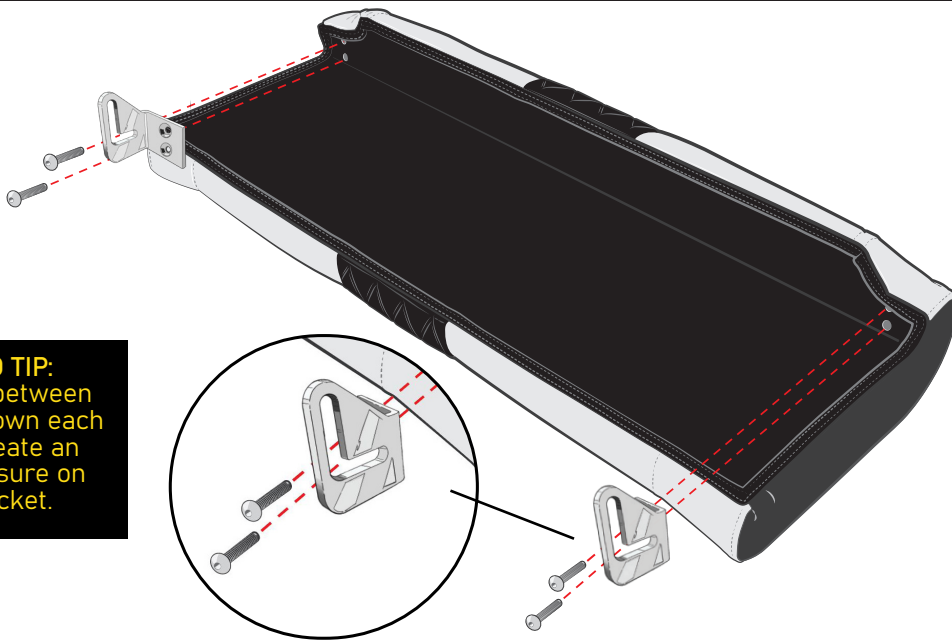
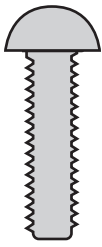
1. Insert foot rest with notch cutout (as shown) positioned down - this allows for foot rest to swing up once assembled.
2. Secure foot rest to Leaning Post assembly using two M10 Shoulder Bolts with 6mm allen wrench. Tighten firmly.
3. Gently tap the Roll Pins into the small holes beneath the bolt-holes on each side of the Leaning Post foot rest using a rubber mallet.



Do you have questions? Call us @ 877.777.8693 Monday - Friday, 8am-5pm EST

2

STEP 3: Install the Pro Series Leaning Post Seat Hinge Brackets to Seat Cushion

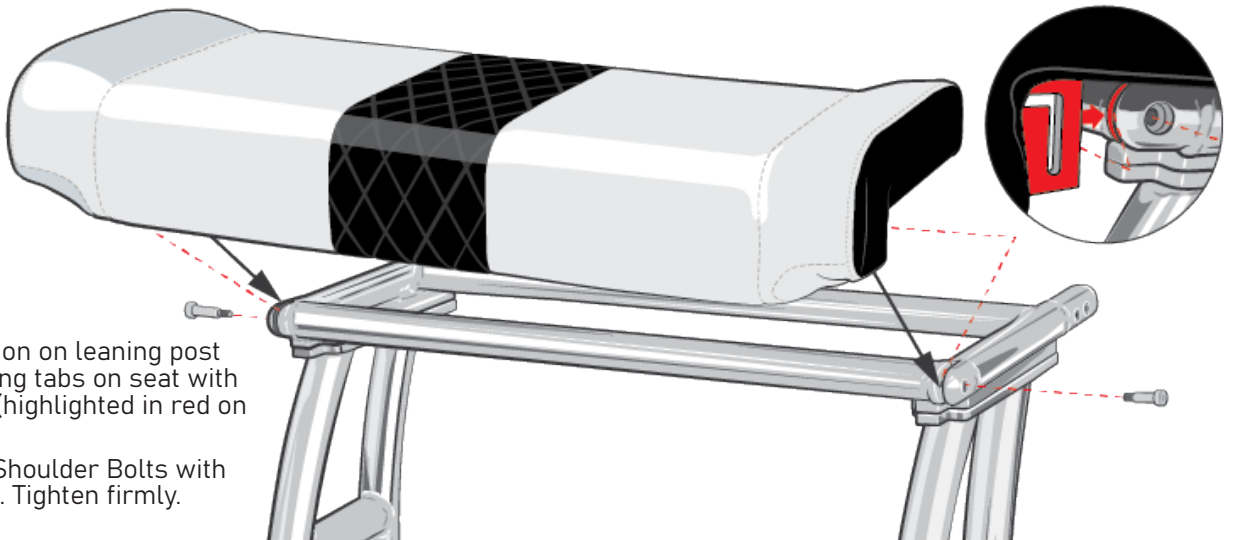
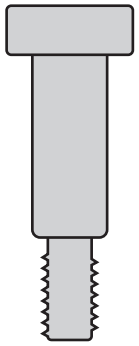


1. Place seat platform upside down on firm surface.
2. Position both seat hinge brackets in position as shown.
Ensure that the faces of the brackets are parallel to outside padding of the seat.
3. Insert M6 x 20 bolt into each location with only a few turns just to get each started.
4. After all four bolts are in position, tighten each bolts firmly with 6mm allen wrench.



PRO TIP:
Alternate between screwing down each bolt to create an even pressure on the bracket.

STEP 4: Install the Pro Series Leaning Post Seat Cushion to Leaning Post Assembly

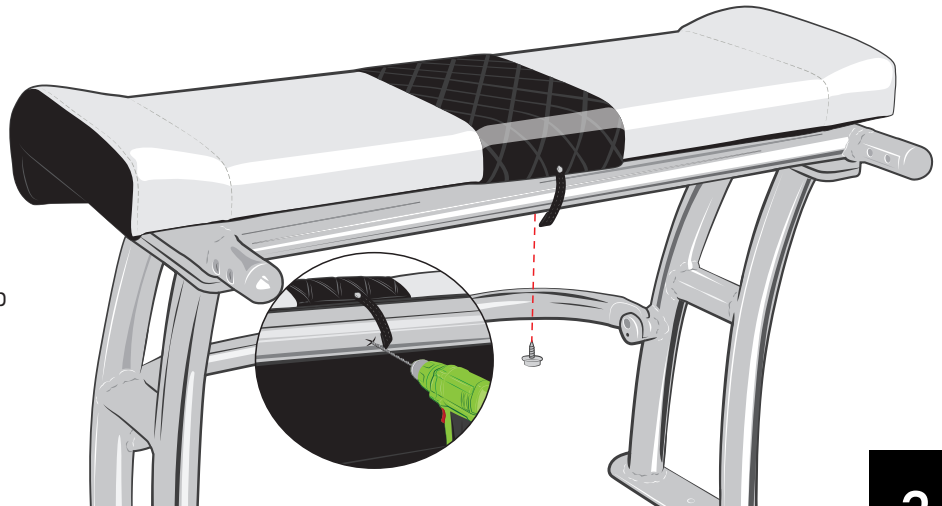


1. Position seat cushion on leaning post assembly by aligning tabs on seat with slots in assembly (highlighted in red on inset drawing).
2. Secure with 2 M8 Shoulder Bolts with 6mm allen wrench. Tighten firmly.

STEP 5: Install the Pro Series Leaning Post Snap Screw to Leaning Post Assembly



1. Keep your leaning post seat secured by installing the included seat strap screw to the back of the leaning post frame. Use a permanent marker to mark the location where the buckle at the end of the seat strap comes in contact with the leaning post frame. Drill a pilot hole with a 1/8" drill bit and screw in the snap screw – the seat strap can now be secured until you need to lift it up.



Do you have questions? Call us @ 877.777.8693 Monday – Friday, 8am-5pm EST

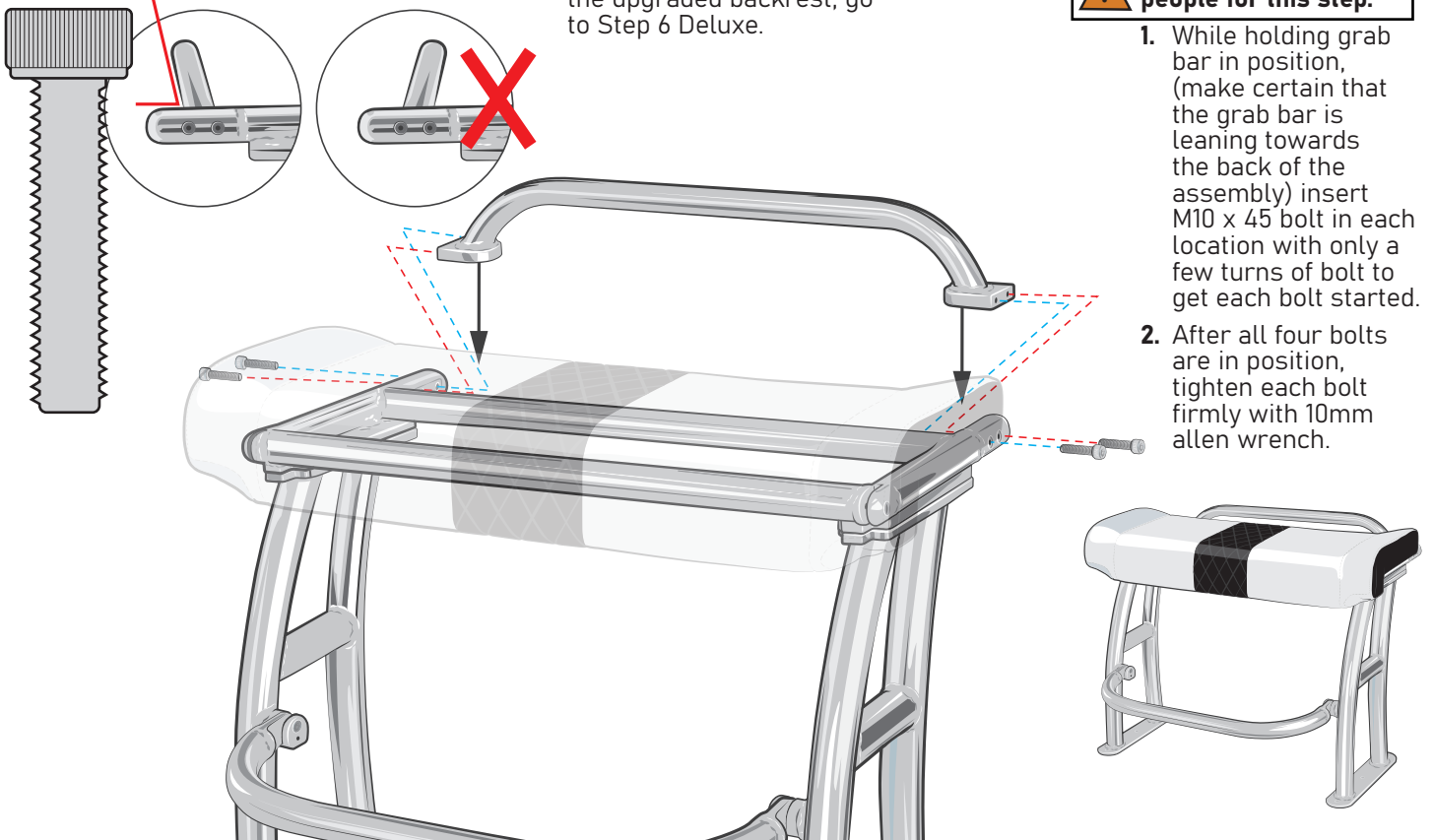
3

STEP 6 STANDARD: Install the Pro Series Leaning Post Grab Bar to Leaning Post Assembly

Grab Bar Option

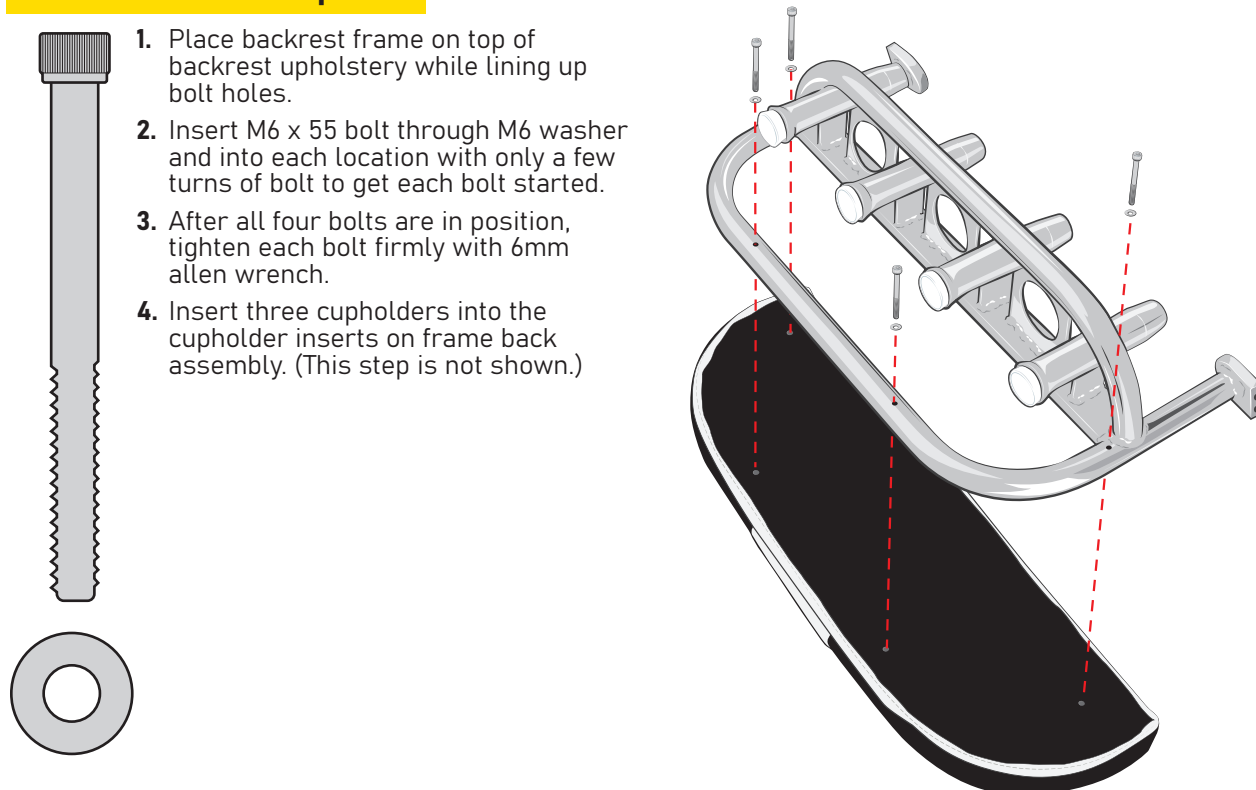
NOTE: If you purchased the upgraded backrest, go to Step 6 Deluxe.

 **We recommend two people for this step.**



STEP 6 DELUXE: Install the Pro Series Leaning Post backrest Frame to Backrest Upholstery

Deluxe Backrest Option

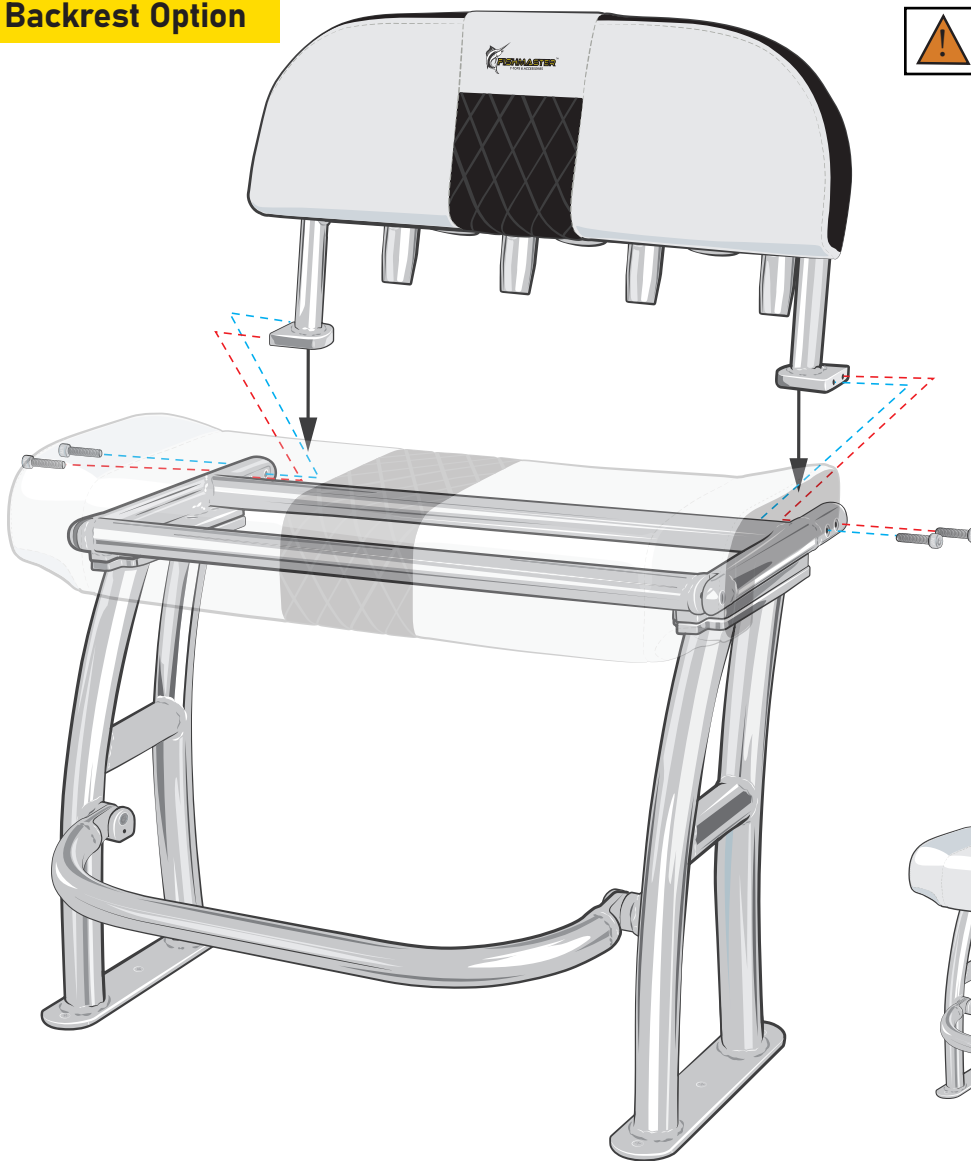
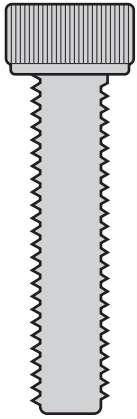


Do you have questions? Call us @ 877.777.8693 Monday - Friday, 8am-5pm EST

4

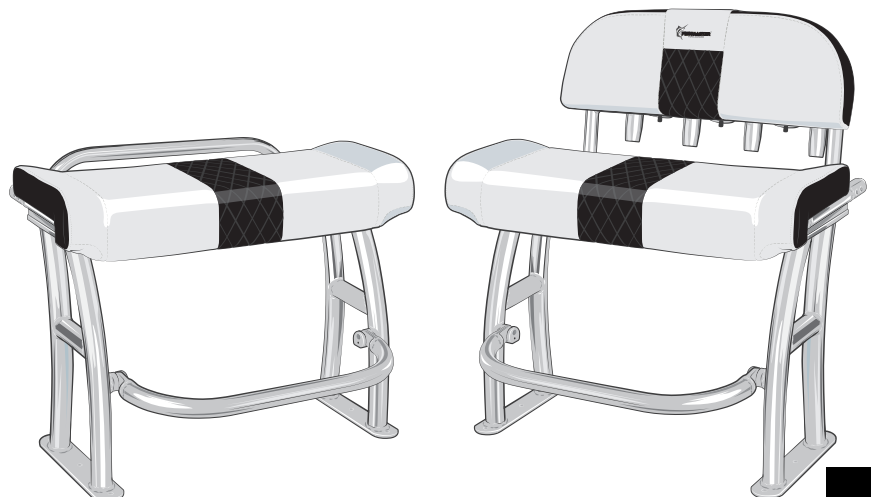
STEP 7 DELUXE: Install the Pro Series Leaning Post Backrest Assembly to Leaning Post Assembly

Deluxe Backrest Option



⚠ We recommend two people for this step.

1. While holding the backrest in position, insert M10 x 45 bolt in each location with only a few turns of bolt to get each bolt started.
2. After all four bolts are in position, tighten each bolt firmly with 10mm allen wrench.



Want to Upgrade Your Pro Series Leaning Post?

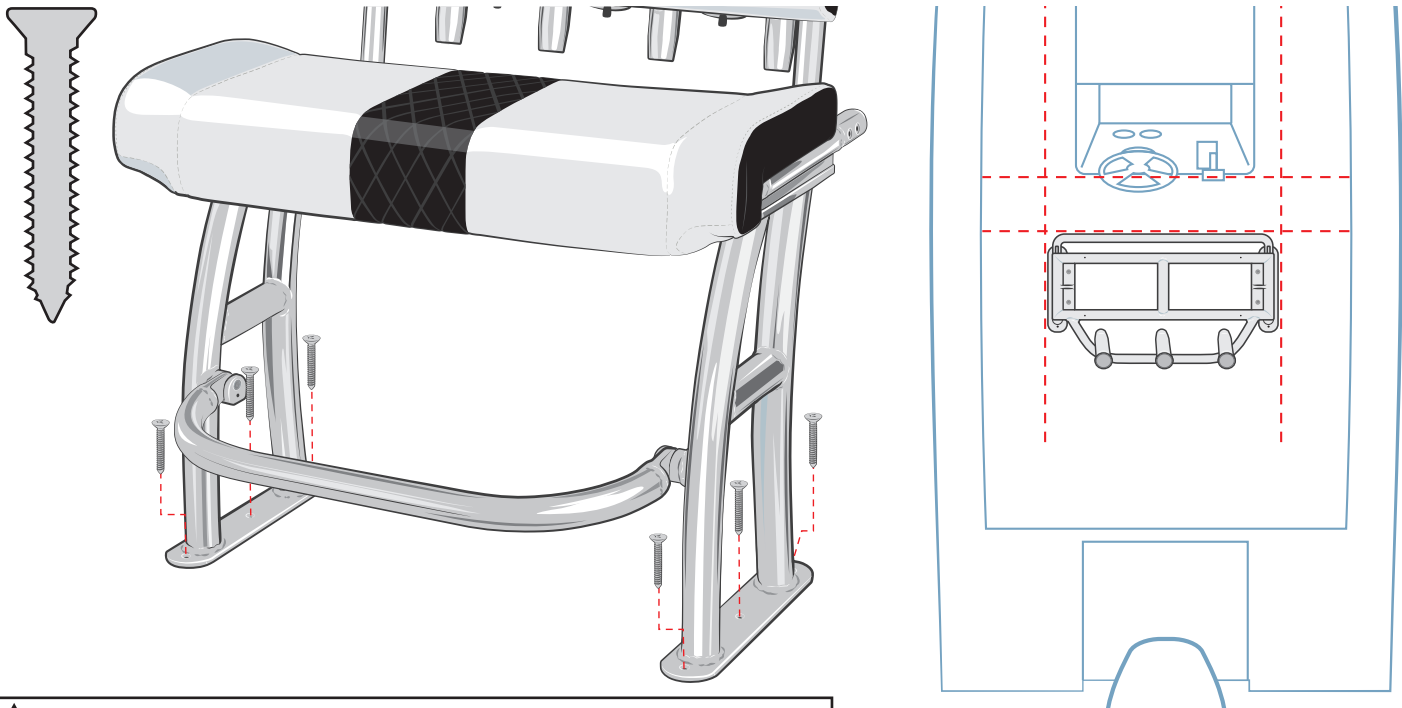
The Pro Series Leaning Post can be upgraded with a Deluxe Backrest featuring four rod holders and three cup holders.

Upgrade @ fishmaster.com



Do you have questions? Call us @ 877.777.8693 Monday – Friday, 8am-5pm EST

STEP 8: Install the Pro Series Leaning Post Seat Assembly to Boat



CAUTION: If you are unfamiliar with your boat's construction, please seek professional advice before drilling holes.

1. Locate the fuel tank, steering cables, and other critical boat components to ensure their safety when drilling.
2. Measure from the rear of your center console to the aft of your boat and place a tape line as a guide for where the front of the base plates will be mounted. Leaning posts are commonly installed at 15" to 20" back from the console, but this can be adjusted for your own comfort and specific boat requirements.
3. Position your leaning post on the deck and measure from the outside of each screw hole in the base plate to the side walls of your boat. This will help ensure the leaning post is centered on the deck of the boat and facing straight towards the bow.
4. Once in position, use a permanent marker to mark the screw hole positions on both leaning post base plates.
5. At each marked location, drill in reverse approximately 3/8" deep through the gel coat. Switch the drill to its standard rotation and finish drilling the hole through the deck.

CAUTION: Starting each hole with your drill in reverse is necessary to prevent spider cracking of the gel coat finish.

6. Once all holes are drilled, use a 45° chamfer bit with the drill in reverse to countersink the screw holes.
7. Drill one of the provided deck screws into each hole and remove it to thread the holes.
8. Use 3M 5200 Marine Adhesive in each of the screw holes as well as on the bottom of the base plate for added strength and durability.
9. Carefully set the leaning post on the prepared mounting surface – matching up the newly drilled holes in the deck of the boat with those in the leaning post base plates.
10. Install the six deck screws to complete your installation.

CAUTION: Before using your leaning post, allow time for the adhesive to cure to the 3M recommendations.

Pro Tip: We recommend positioning the leaning post so that there is adequate standing room with the footrest in the down position.

This will ensure comfort for both the captain and any accompanying passengers who wish to sit atop the leaning post.



Do you have questions? Call us @ 877.777.8693 Monday – Friday, 8am–5pm EST

6