



## ADJUSTABLE POLY FILET TABLE



A great cutting surface is critical when spending a day fishing. Save your gunnels, cooler tops and live well lids by using the TACO Marine Adjustable Poly Filet Table, which is available in two sizes - 20" and 32". This adjustable, stowable filet table is the perfect addition to your boat when fileting and cutting bait. Made from FDA-approved, high-density polyethylene, the Adjustable Poly Filet Table will not discolor, crack, mildew or absorb fish odors. It also features a storage slot for knives and pliers, and is easily cleaned with any marine-safe cleaning product. It mounts into any standard rod holder.

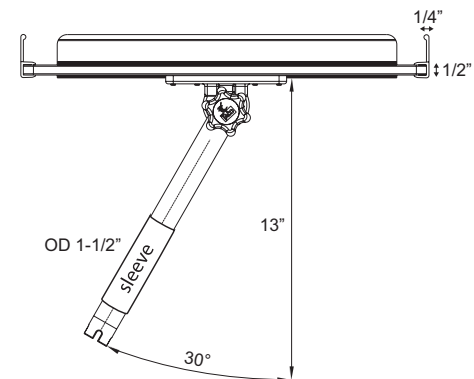
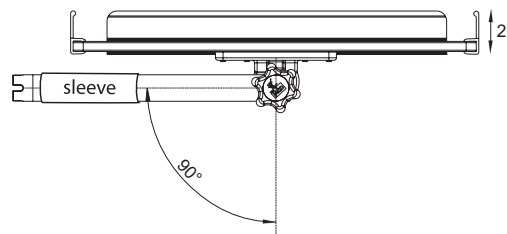
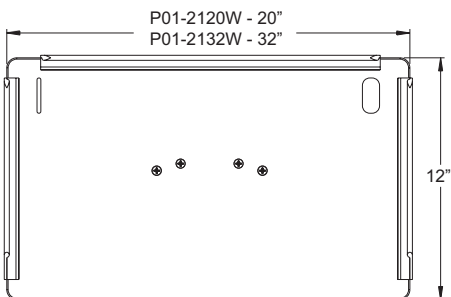
### FEATURES & BENEFITS

- ▶ High-density, 1/2" thick Polyethylene
- ▶ Holds a knife and a plier
- ▶ Drainage openings for easy clean-up
- ▶ Anodized Aluminum mount fits into any standard gunnel rod holder
- ▶ Rugged engineered nylon tilt mount locks at many angles
- ▶ Folds flat for storage under deck
- ▶ Stainless fasteners and easy-to-assemble mount
- ▶ Turning the position washer 1/4 turn allows for six additional angles
- ▶ Available in two widths - 20" and 32"



### ⚠ WARNING:

This product can expose you to chemicals including Lead, which is known to the State of California to cause cancer, birth defects or other reproductive harm. For more information go to [www.P65Warnings.ca.gov](http://www.P65Warnings.ca.gov).



Dimensions shown in inches

PART NUMBER	DESCRIPTION	UNIT	PACK	UPC
P01-2120W-1	Adjustable Poly Filet Table, Gunnel Mount, White, 20" x 12"	Each 4	4	630838030223
P01-2132W-1	Adjustable Poly Filet Table, Gunnel Mount, White, 32" x 12"	Each 4	4	630838030230