

WS-MC2

WS-MC2 1 Piece Marine Receiver
OWNER'S MANUAL

PRECISION | INNOVATION | DURABILITY

1

THANK YOU FOR PURCHASING WET SOUNDS!

Congratulations! Thank You for purchasing the Wet Sounds WS-MC2 1 Piece Marine Receiver!



Wet Sounds professional marine audio products represent the ultimate in high performance marine audio. Wet Sounds products are specifically engineered to withstand the rigorous marine environment.

Please take a moment to read the instruction manual & connection guide before starting the installation. If you have any questions or concerns, please contact a certified Wet Sounds dealer or Wet Sounds Tech Support:



1-877-WET-SPKR (1-877-938-7757)

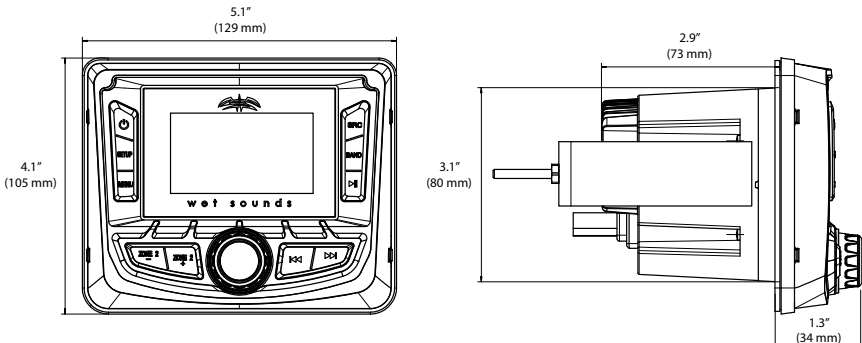
www.wetsounds.com

Wet Sounds WS-MC2 1 Piece Marine Receiver Operations / Installation Manual

WS-MC2 is a marine grade 1- piece receiver

FEATURES INCLUDE:

- AM/FM/Weather Band tuner with RBDS
- Bluetooth Streaming, Auxiliary, USB, & Pandora Inputs
- Simple & Secure Bluetooth Pairing for Android & IOS (A2DP/AVRCP 1.4)
- 2.7" Ultra Bright full color TFT display – displays album art via compatible devices
- Playlist & folder browsing via BT or USB Connection via compatible devices
- Internal Power Amplifier 4x50W @ 2 Ohm Max Output
- Front & Rear Preamp outputs with fading capability
- Front Panel Mounted Independent Secondary Zone Control – Full Range or Subwoofer
- Adjustable Input Gains for all inputs
- Day/Night Illumination & Dimming
- Accepts the optional MC-TR transom remote



Included with the WS-MC2:

- Wiring Harness & Mounting hardware

Please take a moment to read the instruction manual & connection guide before starting the installation. If you have any questions or concerns, please contact a certified Wet Sounds dealer or Wet Sounds Tech Support:

1-877-WET-SPKR (1-877-938-7757)

www.wetsounds.com

Wet Sounds WS-MC2 1 Piece Marine Receiver Operations / Installation Manual

WS-MC2 BASIC CONTROLS



1. Main Control Knob (MCK) This allows adjustment of Main Volume, as well as making selections when the SETUP and MENU features are being used. Rotate the MCK to highlight a feature, then depress the MCK to select the highlighted feature.

2. POWER/MUTE Press & hold this button for power on/off. Short press this button to MUTE/UNMUTE the volume of all zones. The MC2 will confirm the volume is muted in the display.

3. SETUP Allows access to controls that affect all functions of the MC2. Rotate the MCK until the desired function is highlighted, then depress the MCK for access. The functions are:

AUDIO Allows access to the following audio adjustments:

BALANCE/FADER Allows adjustment of the Balance (Left/Right) and Fader (Front Rear) of the main outputs – both powered & pre-amp. Rotate the MCK to highlight the desired function, depress the MCK then rotate the MCK to adjust the function.

EQUALIZATION The WS-MC2 has 7 different factory equalization settings for the 7 Band equalizer. Also available is CUSTOM setting, allowing the user to set their own equalization curve.

Rotate & depress the MCK to select one of 7 the bands of equalization, rotate the MCK to adjust.

CROSSOVER Select to allow adjustment of the Crossovers:

FRONT HPF This controls the frequencies which are allowed to pass through the Front outputs – both powered and pre-amp. Choosing 60Hz, 80Hz, or 120Hz means that all frequencies below those will be blocked from passing. Choosing All Pass Filter will allow all frequencies to pass through the front outputs.

REAR HPF Same as above, but affects the Rear Outputs.

ZONE 2 LPF *NOTE* – this control is only available when the ZONE 2 output is set to SUBWOOFER. This controls the frequencies which are allowed to pass through the ZONE 2 outputs – which are mixed mono & Pre-amp only. Choosing 60Hz, 80Hz, or 120Hz means that all frequencies above those will be blocked from passing. This would be ideal for an amplifier driving a subwoofer or a self-amplified subwoofer. Choosing All Pass Filter will allow all frequencies to pass through the ZONE 2 Outputs. This would be ideal for an amplifier driving a set of Tower Speakers.

SOURCE GAIN Often times the output of different sources varies widely, resulting in an abrupt volume change when switching from one source to another. This setting will compensate for that variance by allowing adjustment of the output of each source input individually with a range of -3dB to +3dB.

INTERNAL AMP When bypassing the WS-MC2's internal amplifier and using solely external amplifiers, set this control in the OFF position for greater efficiency.

ZONE 2 This control changes the label of the ZONE 2 Output to either FULL RANGE or SUBWOOFER. *NOTE* - this only affects the label shown on the MC2 Display when the ZONE 2 front panel controls are adjusted. To adjust the actual crossover settings, refer to the crossover controls above. The Z2 output is always a mixed mono output - even when in FULL RANGE.

TUNER REGION The MC2 is defaulted to receive broadcasts in the USA region, but Russia, Latin America, Asia, Japan, Middle East, Australia & Europe regions are also available through this setting.

SOFTWARE Allows access to the software menu of the MC2:

VERSION Displays what version of the operating software is currently running on the MC2.

Visit www.wetsounds.com/downloads to see the most up to date MC2 operating software.

UPDATE Allows the operating software of the MC2 to be updated while still installed in the vehicle.


For detailed Software updating instructions, please visit www.wetsounds.com.

DAY NIGHT MODE Allows the ability to scroll through the display options of **DAY** (white screen/black characters) **NIGHT** (black screen/ white characters) or **AUTO**. In AUTO mode, the display is in DAY mode until the vehicle's lights are turned on, then the display goes into NIGHT mode. PLEASE NOTE – in order for the AUTO function to operate properly, the Orange wire in the MC-2 harness labeled DIM INPUT must be wired to a circuit in the vehicle that gets +12V whenever the main lighting switch is turned on.

FACTORY DEFAULT Selecting this will return all settings of the MC2 back to the original.

4. MENU Allows access to functions that are different on each source

5. SOURCE (SRC) Allows access to five different sources:

RADIO OPERATION Press SOURCE, then select the  symbol for radio. To select between FM1/FM2/AM/Weather Band, press the BAND button (#6), or select in the MENU.

Short Press the |<< >>| buttons (#10/#11) to automatically seek the next strongest station either up or down.

Long press the same buttons to Manually Tune either up or down.

Press **MENU** while in Radio operation to select between the following features:

PRESETS Press PRESET to display what stations are set, then rotate the MCK to highlight a selection, then press the MCK to select that station.


ADD PRESETS Allows the manual addition of station presets.

BAND Choose from FM1 (6 presets); FM2 (6 Presets); AM (6 Presets); and Weather Band (6 Presets)

AUTO STORE Will automatically store Presets into the BAND currently being used.

LOCAL Select ON/OFF to enable the MC2 to narrow tuning to local stations only.

RBDS Select ON/OFF to enable or disable the Radio Broadcast Data System. Note – not all FM radio stations support RBDS, so availability of this feature may be limited.

USB OPERATION Press SRC, then select the  symbol to access the USB input. Please note – if there is nothing plugged into the USB port on the MC2, this selection will not be possible. The USB port on the MC2 is capable of both connecting & charging Apple devices & only charging many Android devices. The MC2 can also read MP3 files via a USB drive. PLAY/PAUSE (#7) Forward/Reverse Track (#10/#11) will operate when in USB mode. Album Art is available for display on compatible MP3 files.

Press **MENU** while in USB operation to select the following features:

BROWSER Press this to display all the selections available via the USB input. Rotate the MCK to highlight, then depress the MCK to choose your selection.

REPEAT Choose between repeating **ONE** selection, only the selections in the current **FOLDER** or **ALL** selections available.

SHUFFLE Choosing between **ON/OFF** to enable random order play of only the current **FOLDER** or **ALL** selections available.

BLUETOOTH STREAMING OPERATION Press SRC, then select the  symbol to access the Bluetooth streaming input. To connect a Bluetooth compatible device to the MC2, make sure no other devices are paired to the MC2, then be sure to enable BT on the device. Search on the device's Bluetooth menu for "WETSOUNDSMC2" and connect with it. The MC2 will confirm connection on the display.


PLAY/PAUSE (#7) Forward/Reverse Track (#10/#11) will operate when in Bluetooth mode. Album Art is available for display on compatible devices.

Press **MENU** while in USB operation to select the following features:

BROWSER Press this to search for Playlists, Artists, Albums, Genres, Songs, Composers, Audio Books, or Podcasts.

REPEAT Choose between repeating **ONE** selection, or **ALL** selections available.

SHUFFLE Choose between **ON/OFF** to enable random order play, or **ALL** selections available.

PANDORA OPERATION This feature allows control of the Pandora application from the MC2 directly (Android users are limited to Bluetooth connection only, while IOS users can use both USB and Bluetooth). The Pandora app will need to be started on the device first, then press SRC, then select the  symbol on the MC2. PLAY/PAUSE (#7) Forward/Reverse Track (#10/#11) will operate when in Pandora mode. Album Art is available for display on compatible tracks.

Press **MENU** while in Pandora operation to select the following features:

STATIONS Select this to display the stations that have been created on the Pandora account linked to the device.

BOOKMARK and **STATIONS MANAGE** allow the ability to customize Pandora settings from the MC2.

AUXILIARY INPUT OPERATION Press SOURCE, then select the  symbol to allow access to the 3.5mm auxiliary input on the MC2. This can be used to allow connection of a variety of audio sources.

6. BAND This enables changing the tuner from FM1/FM2/AM/WB modes.

7. PLAY/PAUSE This is active when using the Bluetooth Streaming or Pandora sources. Press once for pause, once again for play.

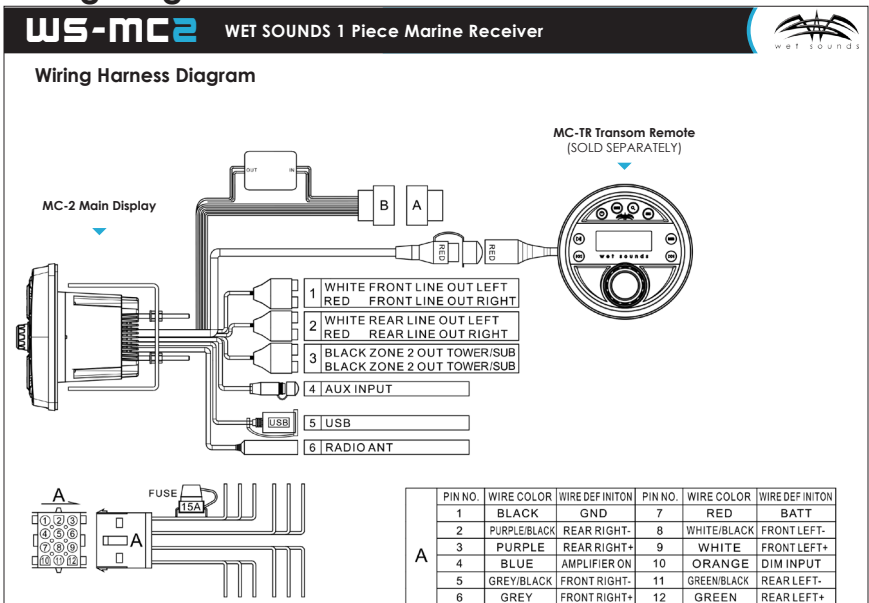
8. ZONE 2 - Decrease the output sent to the ZONE 2 preamp outputs.

9. ZONE 2 + Increase the output sent to the ZONE 2 preamp outputs. Please note – the main volume control will still override final output of Front, Rear & ZONE 2 outputs.

10. TRACK BACK/RADIO TUNER SEEK DOWN In Bluetooth or Pandora mode, this will go back to the previous track. In Radio mode, this will seek out the strongest station in decreasing frequency order.

11. TRACK FORWARD/TUNER SEEK UP In Bluetooth or Pandora mode, this will go forward to the next track. In Radio mode, this will seek out the strongest station in increasing frequency order.

Wiring Diagram



What This Warranty Covers This is a "limited" warranty. This warranty covers any defect in materials and workmanship. This warranty only covers the original purchaser and is not transferable. This warranty is also only valid if the original purchase was made from an authorized Wet Sounds™ dealer.

How Long Coverage Lasts This warranty extends for 2 years from the date of purchase. It is recommended to REGISTER your warranty online within 45 days of purchase at www.wetsounds.com – click on "warranty registration".

What Is Not Covered This warranty does not cover fading or discoloration caused by exposure to sunlight or chemicals such as ammonia, household bleach, or any cleaning material that contains abrasive substances. Wet Sounds, Inc. does not cover the expense for removal or re-installation. Additionally, shipping TO Wet Sounds, Inc. must be paid for by the purchaser. This warranty is void and inapplicable if Wet Sounds deems that the product was abused or misused; including but not limited to damage caused by accident, mishandling, improper installation, removing the inline fuse on the power connection, negligence, normal; wear and tear, excessive water or heat damage, freight/shipping damage, or products that have been disassembled by anyone other than Wet Sounds technical staff. Wet Sounds will not be responsible for any incidental or consequential damages, except to the extent provided (or prohibited) by applicable law. This warranty gives you specific rights, and you may also have other rights which vary from state to state.

What Wet Sounds, Inc. Will Do Wet Sounds, Inc. will repair any part of your product that proves to be defective in materials or workmanship. In the event repair is not possible, Wet Sounds will replace the product in question. If it is deemed necessary Wet Sounds, Inc. will either replace the entire product with a refurbished unit or it will be replaced with a model that is similar in price is that model is no longer available. Labor costs and materials needed to complete this service will be at No Charge to the purchaser. Additionally, return shipping FROM Wet Sounds, Inc. to the purchaser will be paid for by Wet Sounds.

How To Get Service Contact Wet Sounds, Inc. either by phone (877-938-7757) or by email (warranty@wetsounds.com). A service representative will assist you in confirming that the problem you are experiencing is caused by a defective product and if that product is covered under warranty. The service representative will issue you a Return Manufacturer's Authorization (RMA) and other details to obtain service for your product.

DO NOT RETURN YOUR PRODUCT WITHOUT THE PROPER RETURN AUTHORIZATION (RMA)!

Internet Warning Wet Sounds, Inc. products sold on any non-authorized web site or internet auction site are void of any and all manufacturer's warranty. Please contact Wet Sounds (877-938-7757) or visit our web site (www.wetsounds.com) for a list of authorized online sellers or to find an authorized installing retailer near you.





WET SOUNDS INC.
www.wetsounds.com
877-938-7757

10621 S. Sam Houston PKWY W, Suite 100
Houston, Texas 77071
USA

PROUDLY 
DESIGNED IN USA